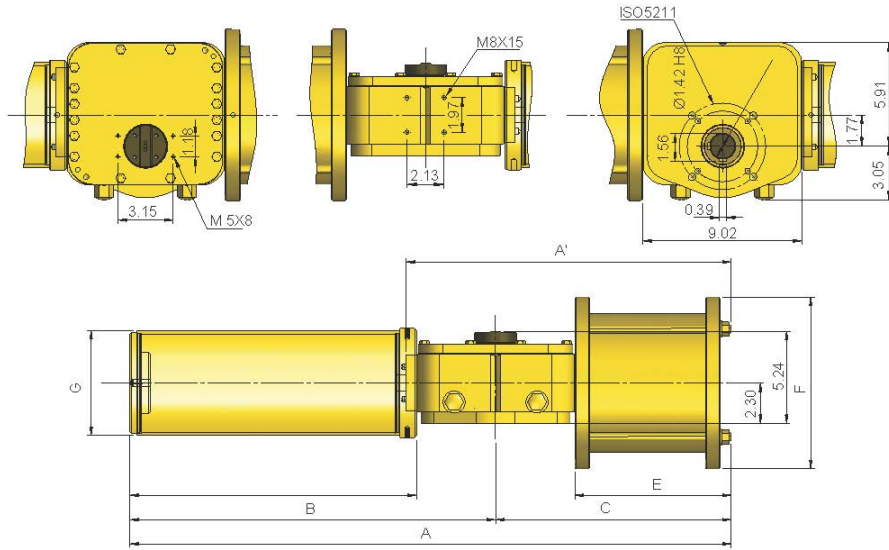




**SCOTCH YOKE PNEUMATIC
DOUBLE ACTING DIMENSIONS**



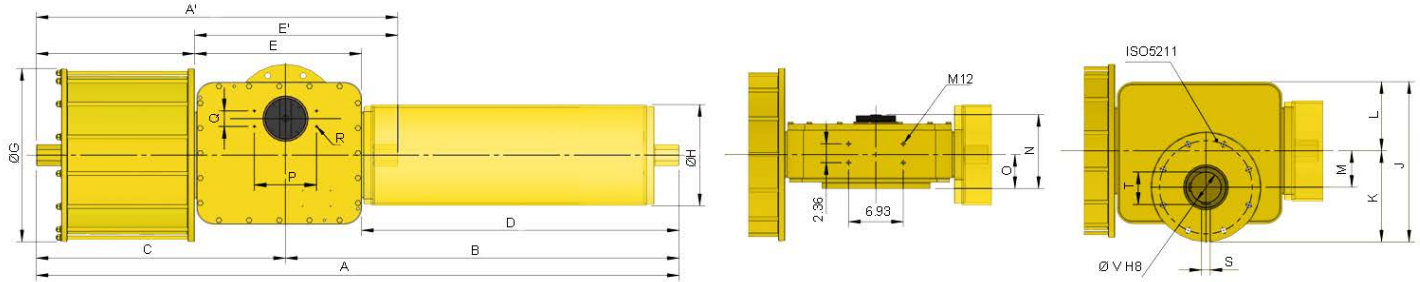
Actuator size	A	A'	B	C	D	E	F	G	ISO5211	AIR CONN.	WEIGHT	AIR VOL.
KSY-100-160	18.46	-	13.35	-	8.86	9.76			F10-F12	1/4" NPT	137	158.66
KSY-100-180	18.46	-	13.35	-	8.86	10.55			F10-F12	1/4" NPT	141	201.38
KSY-100-235	18.46	-	13.35	-	8.86	12.91			F10-F12	1/2" NPT	185	341.73

Dimensions are in inches - Dimensions and weights are without brackets - Weights are in lbs. - Air volumes are in cubic inches - Drawing is not scaled.

Radius reserve the right to make technical and or dimensional changes without prior notice.



SCOTCH YOKE PNEUMATIC DOUBLE ACTING DIMENSIONS



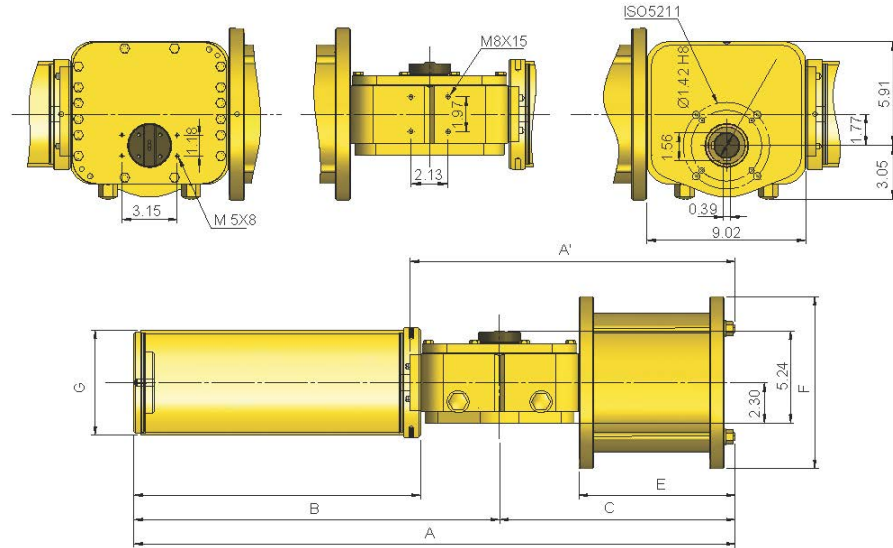
Actuator size	A A'	B	C	D	E E'	F	G	H	J	K	L	M	N	O	P	Q	R	S	T	V	ISO5211	AIR CONN.	WEIGHT	AIR VOL.
KSY-400-200	32.64	-	21.65	-	18.70	13.94	10.71	-	13.70	6.89	6.81	2.76	7.46	3.43	5.12	1.18	M5	0.709	2.531	2.362	F16	1/2" NPT	247	268.50
KSY-400-235	32.64	-	21.65	-	18.70	13.94	11.85	-	13.70	6.89	6.81	2.76	7.46	3.43	5.12	1.18	M5	0.709	2.531	2.362	F16	1/2" NPT	276	475.99
KSY-400-280	32.64	-	21.65	-	18.70	13.94	13.94	-	13.70	6.89	6.81	2.76	7.46	3.43	5.12	1.18	M5	0.709	2.531	2.362	F16	1/2" NPT	309	671.26
KSY-400-335	32.64	-	21.65	-	18.70	13.94	15.87	-	13.70	6.89	6.81	2.76	7.46	3.43	5.12	1.18	M5	0.709	2.531	2.362	F16	1/2" NPT	430	964.18
KSY-400-385	32.64	-	21.65	-	18.70	13.94	17.83	-	13.70	6.89	6.81	2.76	7.46	3.43	5.12	1.18	M5	0.709	2.531	2.362	F16	1" NPT	496	1275.40
KSY-900-235	36.79	-	24.70	-	21.06	15.73	11.85	-	17.09	9.45	7.64	3.54	7.81	3.58	5.12	1.18	M5	0.787	3.020	2.835	F25	1/2" NPT	298	579.73
KSY-900-280	36.79	-	24.70	-	21.06	15.73	13.94	-	17.09	9.45	7.64	3.54	7.81	3.58	5.12	1.18	M5	0.787	3.020	2.835	F25	1/2" NPT	337	823.82
KSY-900-335	36.79	-	24.70	-	21.06	15.73	15.87	-	17.09	9.45	7.64	3.54	7.81	3.58	5.12	1.18	M5	0.787	3.020	2.835	F25	1/2" NPT	452	1177.76
KSY-900-385	36.79	-	24.70	-	21.06	15.73	17.83	-	17.09	9.45	7.64	3.54	7.81	3.58	5.12	1.18	M5	0.787	3.020	2.835	F25	1" NPT	525	1562.21
KSY-900-435	36.79	-	24.70	-	21.06	15.73	19.92	-	17.09	9.45	7.64	3.54	7.81	3.58	5.12	1.18	M5	0.787	3.020	2.835	F25	1" NPT	580	1995.48
KSY-1600-300	45.73	-	31.56	-	25.67	20.06	14.57	-	20.20	11.50	8.70	4.61	9.33	4.29	7.87	1.97	M6	1.102	4.102	3.858	F30	1/2" NPT	595	1019.10
KSY-1600-335	45.73	-	31.56	-	25.67	20.06	15.87	-	20.20	11.50	8.70	4.61	9.33	4.29	7.87	1.97	M6	1.102	4.102	3.858	F30	1/2" NPT	644	1702.56
KSY-1600-385	45.73	-	31.56	-	25.67	20.06	17.83	-	20.20	11.50	8.70	4.61	9.33	4.29	7.87	1.97	M6	1.102	4.102	3.858	F30	1" NPT	721	2251.78
KSY-1600-435	45.73	-	31.56	-	25.67	20.06	19.92	-	20.20	11.50	8.70	4.61	9.33	4.29	7.87	1.97	M6	1.102	4.102	3.858	F30	1" NPT	851	2874.22
KSY-1600-485	45.73	-	31.56	-	25.67	20.06	21.85	-	20.20	11.50	8.70	4.61	9.33	4.29	7.87	1.97	M6	1.102	4.102	3.858	F30	1" NPT	946	3569.89
KSY-1600-535	45.73	-	31.56	-	25.67	20.06	23.86	-	20.20	11.50	8.70	4.61	9.33	4.29	7.87	1.97	M6	1.102	4.102	3.858	F30	1" NPT	1056	4350.99
KSY-3500-335	48.96	-	33.88	-	27.56	21.40	15.87	-	22.58	13.68	8.90	5.51	9.35	4.53	7.87	1.97	M6	1.260	5.012	4.724	F35	1/2" NPT	653	1818.51
KSY-3500-385	48.96	-	33.88	-	27.56	21.40	17.83	-	22.58	13.68	8.90	5.51	9.35	4.53	7.87	1.97	M6	1.260	5.012	4.724	F35	1" NPT	728	2404.34
KSY-3500-435	48.96	-	33.88	-	27.56	21.40	19.92	-	22.58	13.68	8.90	5.51	9.35	4.53	7.87	1.97	M6	1.260	5.012	4.724	F35	1" NPT	864	3063.39
KSY-3500-485	48.96	-	33.88	-	27.56	21.40	21.85	-	22.58	13.68	8.90	5.51	9.35	4.53	7.87	1.97	M6	1.260	5.012	4.724	F35	1" NPT	981	3807.88
KSY-3500-535	48.96	-	33.88	-	27.56	21.40	23.86	-	22.58	13.68	8.90	5.51	9.35	4.53	7.87	1.97	M6	1.260	5.012	4.724	F35	1" NPT	1087	4631.70
KSY-5000-435	59.61	-	40.75	-	34.41	25.20	19.92	-	27.15	16.04	11.10	6.69	12.36	6.06	10.24	1.97	M6	1.417	6.217	5.906	F40	1" NPT	1592	3112.21
KSY-5000-485	59.61	-	40.75	-	34.41	25.20	21.85	-	27.15	16.04	11.10	6.69	12.36	6.06	10.24	1.97	M6	1.417	6.217	5.906	F40	1" NPT	1669	3868.91
KSY-5000-535	59.61	-	40.75	-	34.41	25.20	23.86	-	27.15	16.04	11.10	6.69	12.36	6.06	10.24	1.97	M6	1.417	6.217	5.906	F40	1" NPT	1814	4747.65
KSY-5000-585	59.61	-	40.75	-	34.41	25.20	25.91	-	27.15	16.04	11.10	6.69	12.36	6.06	10.24	1.97	M6	1.417	6.217	5.906	F40	1" NPT	1953	5632.49
KSY-5000-635	59.61	-	40.75	-	34.41	25.20	27.80	-	27.15	16.04	11.10	6.69	12.36	6.06	10.24	1.97	M6	1.417	6.217	5.906	F40	1" NPT	2064	6633.28
KSY-5000-685	59.61	-	40.75	-	34.41	25.20	29.80	-	27.15	16.04	11.10	6.69	12.36	6.06	10.24	1.97	M6	1.417	6.217	5.906	F40	1" NPT	2176	7719.50
KSY-5000-735	59.61	-	40.75	-	34.41	25.20	31.89	-	27.15	16.04	11.10	6.69	12.36	6.06	10.24	1.97	M6	1.417	6.217	5.906	F40	1" NPT	2291	8891.16

Dimensions are in inches - Dimensions and weights are without brackets - Weights are in lbs. - Air volumes are in cubic inches - Drawing is not scaled.

Radius reserve the right to make technical and or dimensional changes without prior notice.



SCOTCH YOKE PNEUMATIC SPRING RETURN DIMENSIONS



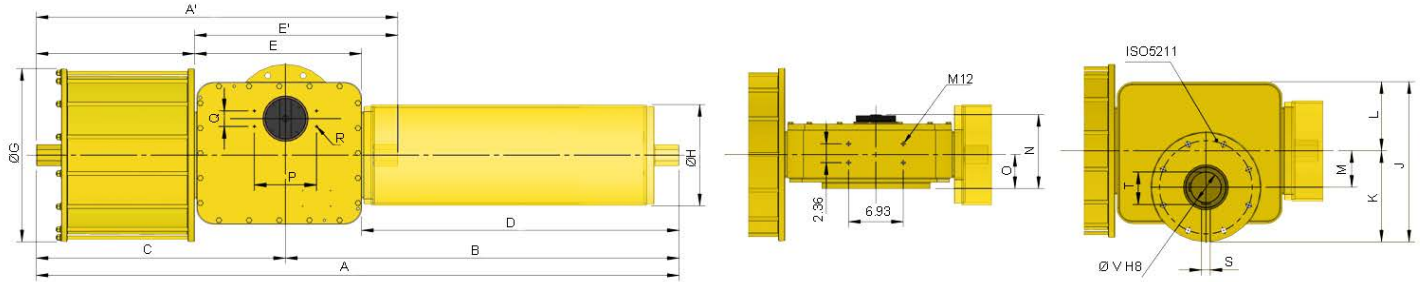
Actuator size	A	A'	B	C	D	E	F	G	ISO5211	AIR CONN.	WEIGHT	AIR VOL.
KSYM-100-160-46	34.13	20.75	13.35	16.26	8.86	9.76	5.98	F10-F12	1/4" NPT	205	158.66	
KSYM-100-180-46	34.13	20.75	13.35	16.26	8.86	10.55	5.98	F10-F12	1/4" NPT	214	201.38	
KSYM-100-235-46	34.13	20.75	13.35	16.26	8.86	12.91	5.98	F10-F12	1/2" NPT	256	341.73	
KSYM-100-160-78	39.53	26.18	13.35	21.73	8.86	9.76	9.02	F10-F12	1/4" NPT	251	158.66	
KSYM-100-180-78	39.53	26.18	13.35	21.73	8.86	10.55	9.02	F10-F12	1/4" NPT	258	201.38	
KSYM-100-235-78	39.52	26.18	13.35	21.73	8.86	12.91	9.02	F10-F12	1/2" NPT	302	341.73	

Dimensions are in inches - Dimensions and weights are without brackets - Weights are in lbs. - Air volumes are in cubic inches - Drawing is not scaled.

Radius reserve the right to make technical and or dimensional changes without prior notice.



SCOTCH YOKE PNEUMATIC SPRING RETURN DIMENSIONS



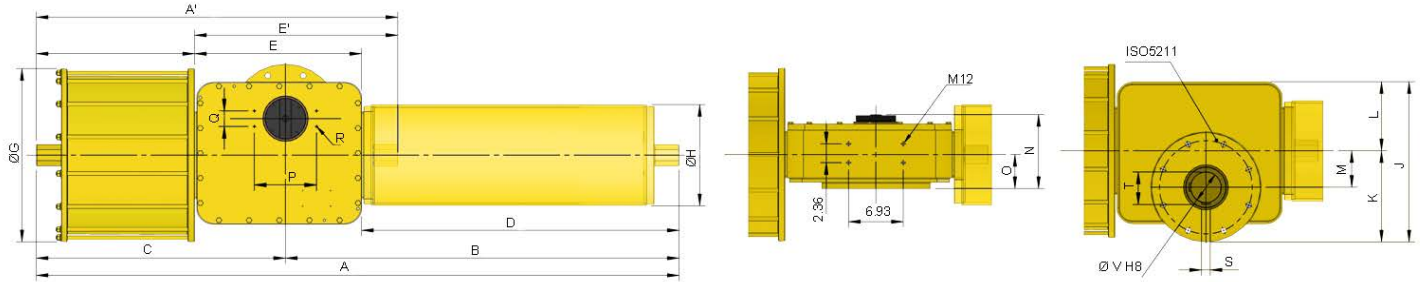
Actuator size	A A'	B	C	D	EE'	F	G	H	J	K	L	M	N	O	P	Q	R	S	T	V	ISO5211	AIR CONN.	WEIGHT	AIR VOL.
KSYM-400-235-110	53.90	32.24	21.65	25.59	14.37	13.94	11.85	10.51	13.70	6.89	6.81	2.76	7.46	3.43	5.12	1.18	M5	0.709	2.531	2.362	F16	1/2" NPT	465	475.99
KSYM-400-280-110	53.90	32.24	21.65	25.59	14.37	13.94	13.94	10.51	13.70	6.89	6.81	2.76	7.46	3.43	5.12	1.18	M5	0.709	2.531	2.362	F16	1/2" NPT	498	671.26
KSYM-400-335-110	53.90	32.24	21.65	25.59	14.37	13.94	15.87	10.51	13.70	6.89	6.81	2.76	7.46	3.43	5.12	1.18	M5	0.709	2.531	2.362	F16	1/2" NPT	619	964.18
KSYM-400-235-160	55.12	33.46	21.65	26.81	14.37	13.94	11.85	12.76	13.70	6.89	6.81	2.76	7.46	3.43	5.12	1.18	M5	0.709	2.531	2.362	F16	1/2" NPT	509	475.99
KSYM-400-280-160	55.12	33.46	21.65	26.81	14.37	13.94	13.94	12.76	13.70	6.89	6.81	2.76	7.46	3.43	5.12	1.18	M5	0.709	2.531	2.362	F16	1/2" NPT	542	671.26
KSYM-400-335-160	55.12	33.46	21.65	26.81	14.37	13.94	15.87	12.76	13.70	6.89	6.81	2.76	7.46	3.43	5.12	1.18	M5	0.709	2.531	2.362	F16	1/2" NPT	664	964.18
KSYM-400-280-220	55.12	33.46	21.65	26.81	14.37	13.94	17.83	12.76	13.70	6.89	6.81	2.76	7.46	3.43	5.12	1.18	M5	0.709	2.531	2.362	F16	1" NPT	730	1275.40
KSYM-400-335-220	55.79	34.13	21.65	27.48	14.37	13.94	13.94	12.01	13.70	6.89	6.81	2.76	7.46	3.43	5.12	1.18	M5	0.709	2.531	2.362	F16	1/2" NPT	637	671.26
KSYM-400-385-220	55.79	34.13	21.65	27.48	14.37	13.94	17.83	12.01	13.70	6.89	6.81	2.76	7.46	3.43	5.12	1.18	M5	0.709	2.531	2.362	F16	1/2" NPT	758	964.18
KSYM-400-435-220	55.79	34.13	21.65	27.48	14.37	13.94	17.83	12.01	13.70	6.89	6.81	2.76	7.46	3.43	5.12	1.18	M5	0.709	2.531	2.362	F16	1" NPT	825	1275.40
KSYM-900-235-140	62.58	37.87	24.70	30.31	16.54	15.73	11.85	10.51	17.09	9.45	7.64	3.54	7.81	3.58	5.12	1.18	M5	0.787	3.020	2.835	F25	1/2" NPT	522	579.73
KSYM-900-280-140	62.58	37.87	24.70	30.31	16.54	15.73	13.94	10.51	17.09	9.45	7.64	3.54	7.81	3.58	5.12	1.18	M5	0.787	3.020	2.835	F25	1/2" NPT	562	823.82
KSYM-900-335-140	62.58	37.87	24.70	30.31	16.54	15.73	15.87	10.51	17.09	9.45	7.64	3.54	7.81	3.58	5.12	1.18	M5	0.787	3.020	2.835	F25	1/2" NPT	677	1177.76
KSYM-900-235-200	60.81	36.10	24.70	28.54	16.54	15.73	11.85	12.76	17.09	9.45	7.64	3.54	7.81	3.58	5.12	1.18	M5	0.787	3.020	2.835	F25	1/2" NPT	542	579.73
KSYM-900-280-200	60.81	36.10	24.70	28.54	16.54	15.73	13.94	12.76	17.09	9.45	7.64	3.54	7.81	3.58	5.12	1.18	M5	0.787	3.020	2.835	F25	1/2" NPT	582	823.82
KSYM-900-335-200	60.81	36.10	24.70	28.54	16.54	15.73	15.87	12.76	17.09	9.45	7.64	3.54	7.81	3.58	5.12	1.18	M5	0.787	3.020	2.835	F25	1/2" NPT	697	1177.76
KSYM-900-385-200	60.81	36.10	24.70	28.54	16.54	15.73	17.83	12.76	17.09	9.45	7.64	3.54	7.81	3.58	5.12	1.18	M5	0.787	3.020	2.835	F25	1" NPT	769	1562.21
KSYM-900-435-200	60.81	36.10	24.70	28.54	16.54	15.73	19.92	12.76	17.09	9.45	7.64	3.54	7.81	3.58	5.12	1.18	M5	0.787	3.020	2.835	F25	1" NPT	886	1989.37
KSYM-900-280-290	64.27	39.57	24.70	32.01	16.54	15.73	13.94	12.76	17.09	9.45	7.64	3.54	7.81	3.58	5.12	1.18	M5	0.787	3.020	2.835	F25	1/2" NPT	730	823.82
KSYM-900-335-290	64.27	39.57	24.70	32.01	16.54	15.73	15.87	12.76	17.09	9.45	7.64	3.54	7.81	3.58	5.12	1.18	M5	0.787	3.020	2.835	F25	1/2" NPT	844	1177.76
KSYM-900-385-290	64.27	39.57	24.70	32.01	16.54	15.73	17.83	12.76	17.09	9.45	7.64	3.54	7.81	3.58	5.12	1.18	M5	0.787	3.020	2.835	F25	1" NPT	917	1562.21
KSYM-900-435-290	64.27	39.57	24.70	32.01	16.54	15.73	19.92	12.76	17.09	9.45	7.64	3.54	7.81	3.58	5.12	1.18	M5	0.787	3.020	2.835	F25	1" NPT	992	1989.37
KSYM-900-485-290	64.27	39.57	24.70	32.01	16.54	15.73	21.85	12.76	17.09	9.45	7.64	3.54	7.81	3.58	5.12	1.18	M5	0.787	3.020	2.835	F25	1" NPT	1076	2465.36
KSYM-900-335-390	63.48	38.78	24.70	31.22	16.54	15.73	15.87	13.50	17.09	9.45	7.64	3.54	7.81	3.58	5.12	1.18	M5	0.787	3.020	2.835	F25	1/2" NPT	844	1177.76
KSYM-900-385-390	63.48	38.78	24.70	31.22	16.54	15.73	17.83	13.50	17.09	9.45	7.64	3.54	7.81	3.58	5.12	1.18	M5	0.787	3.020	2.835	F25	1" NPT	917	1562.21
KSYM-900-435-390	63.48	38.78	24.70	31.22	16.54	15.73	19.92	13.50	17.09	9.45	7.64	3.54	7.81	3.58	5.12	1.18	M5	0.787	3.020	2.835	F25	1" NPT	1014	1989.37
KSYM-900-485-390	63.48	38.78	24.70	31.22	16.54	15.73	21.85	13.50	17.09	9.45	7.64	3.54	7.81	3.58	5.12	1.18	M5	0.787	3.020	2.835	F25	1" NPT	1122	2465.36

Dimensions are in inches - Dimensions and weights are without brackets - Weights are in lbs. - Air volumes are in cubic inches - Drawing is not scaled.

Radius reserve the right to make technical and or dimensional changes without prior notice.



SCOTCH YOKE PNEUMATIC SPRING RETURN DIMENSIONS



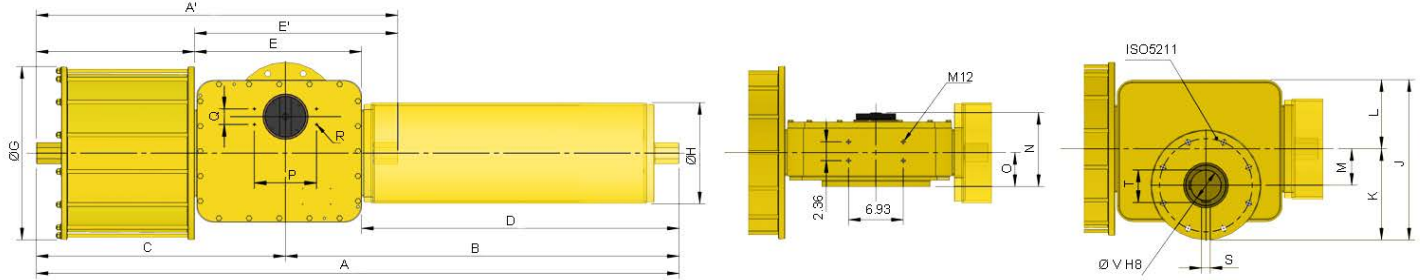
Actuator size	A A'	B	C	D	EE'	F	G	H	J	K	L	M	N	O	P	Q	R	S	T	V	ISO5211	AIR CONN.	WEIGHT	AIR VOL.
KSYM-1600-335-450	81.59	50.04	31.56	40.39	21.14	20.06	15.87	14.49	20.20	11.50	8.70	4.61	9.33	4.29	7.87	1.97	M6	1.102	4.102	3.858	F30	1/2" NPT	1321	1702.56
KSYM-1600-385-450	81.59	50.04	31.56	40.39	21.14	20.06	17.83	14.49	20.20	11.50	8.70	4.61	9.33	4.29	7.87	1.97	M6	1.102	4.102	3.858	F30	1" NPT	1398	2251.78
KSYM-1600-435-450	81.59	50.04	31.56	40.39	21.14	20.06	19.92	14.49	20.20	11.50	8.70	4.61	9.33	4.29	7.87	1.97	M6	1.102	4.102	3.858	F30	1" NPT	1528	2874.22
KSYM-1600-485-450	81.59	50.04	31.56	40.39	21.14	20.06	21.85	14.49	20.20	11.50	8.70	4.61	9.33	4.29	7.87	1.97	M6	1.102	4.102	3.858	F30	1" NPT	1623	3569.89
KSYM-1600-535-450	81.59	50.04	31.56	40.39	21.14	20.06	23.86	14.49	20.20	11.50	8.70	4.61	9.33	4.29	7.87	1.97	M6	1.102	4.102	3.858	F30	1" NPT	1733	4344.89
KSYM-1600-335-510	77.81	46.26	31.56	36.61	21.14	20.06	15.87	15.00	20.20	11.50	8.70	4.61	9.33	4.29	7.87	1.97	M6	1.102	4.102	3.858	F30	1/2" NPT	1413	1702.56
KSYM-1600-385-510	77.81	46.26	31.56	36.61	21.14	20.06	17.83	15.00	20.20	11.50	8.70	4.61	9.33	4.29	7.87	1.97	M6	1.102	4.102	3.858	F30	1" NPT	1490	2251.78
KSYM-1600-435-510	77.81	46.26	31.56	36.61	21.14	20.06	19.92	15.00	20.20	11.50	8.70	4.61	9.33	4.29	7.87	1.97	M6	1.102	4.102	3.858	F30	1" NPT	1620	2874.22
KSYM-1600-485-510	77.81	46.26	31.56	36.61	21.14	20.06	21.85	15.00	20.20	11.50	8.70	4.61	9.33	4.29	7.87	1.97	M6	1.102	4.102	3.858	F30	1" NPT	1715	3569.89
KSYM-1600-535-510	77.81	46.26	31.56	36.61	21.14	20.06	23.86	15.00	20.20	11.50	8.70	4.61	9.33	4.29	7.87	1.97	M6	1.102	4.102	3.858	F30	1" NPT	1825	4344.89
KSYM-1600-385-650	83.76	52.20	31.56	42.56	21.14	20.06	17.83	15.98	20.20	11.50	8.70	4.61	9.33	4.29	7.87	1.97	M6	1.102	4.102	3.858	F30	1" NPT	1676	2251.78
KSYM-1600-435-650	83.76	52.20	31.56	42.56	21.14	20.06	19.92	15.98	20.20	11.50	8.70	4.61	9.33	4.29	7.87	1.97	M6	1.102	4.102	3.858	F30	1" NPT	1806	2874.22
KSYM-1600-485-650	83.76	52.20	31.56	42.56	21.14	20.06	21.85	15.98	20.20	11.50	8.70	4.61	9.33	4.29	7.87	1.97	M6	1.102	4.102	3.858	F30	1" NPT	1900	3569.89
KSYM-1600-535-650	83.76	52.20	31.56	42.56	21.14	20.06	23.86	15.98	20.20	11.50	8.70	4.61	9.33	4.29	7.87	1.97	M6	1.102	4.102	3.858	F30	1" NPT	2011	4344.89
KSYM-3500-485-610	95.22	61.34	33.88	50.94	22.87	21.40	21.85	15.00	22.58	13.68	8.90	5.51	9.35	4.53	7.87	1.97	M6	1.260	5.012	4.724	F35	1" NPT	2072	3807.88
KSYM-3500-535-610	95.22	61.34	33.88	50.94	22.87	21.40	23.86	15.00	22.58	13.68	8.90	5.51	9.35	4.53	7.87	1.97	M6	1.260	5.012	4.724	F35	1" NPT	2178	4631.70
KSYM-3500-385-782	94.96	61.08	33.88	50.69	22.87	21.40	17.83	15.98	22.58	13.68	8.90	5.51	9.35	4.53	7.87	1.97	M6	1.260	5.012	4.724	F35	1" NPT	1922	2398.23
KSYM-3500-435-782	94.96	61.08	33.88	50.69	22.87	21.40	19.92	15.98	22.58	13.68	8.90	5.51	9.35	4.53	7.87	1.97	M6	1.260	5.012	4.724	F35	1" NPT	2059	3063.39
KSYM-3500-485-782	94.96	61.08	33.88	50.69	22.87	21.40	21.85	15.98	22.58	13.68	8.90	5.51	9.35	4.53	7.87	1.97	M6	1.260	5.012	4.724	F35	1" NPT	2176	3807.88
KSYM-3500-535-782	94.96	61.08	33.88	50.69	22.87	21.40	23.86	15.98	22.58	13.68	8.90	5.51	9.35	4.53	7.87	1.97	M6	1.260	5.012	4.724	F35	1" NPT	2282	4631.70
KSYM-3500-435-1057	95.41	61.54	33.88	51.14	22.87	21.40	19.92	20.51	22.58	13.68	8.90	5.51	9.35	4.53	7.87	1.97	M6	1.260	5.012	4.724	F35	1" NPT	2474	3063.39
KSYM-3500-485-1057	95.41	61.54	33.88	51.14	22.87	21.40	21.85	20.51	22.58	13.68	8.90	5.51	9.35	4.53	7.87	1.97	M6	1.260	5.012	4.724	F35	1" NPT	2590	3807.88
KSYM-3500-535-1057	95.41	61.54	33.88	51.14	22.87	21.40	23.86	20.51	22.58	13.68	8.90	5.51	9.35	4.53	7.87	1.97	M6	1.260	5.012	4.724	F35	1" NPT	2696	4631.70
KSYM-3500-585-1057	95.41	61.54	33.88	51.14	22.87	21.40	25.91	20.51	22.58	13.68	8.90	5.51	9.35	4.53	7.87	1.97	M6	1.260	5.012	4.724	F35	1" NPT	2859	5675.21
KSYM-3500-635-1057	95.41	61.54	33.88	51.14	22.87	21.40	27.80	20.51	22.58	13.68	8.90	5.51	9.35	4.53	7.87	1.97	M6	1.260	5.012	4.724	F35	1" NPT	3104	6712.61
KSYM-3500-685-1057	95.41	61.54	33.88	51.14	22.87	21.40	29.80	20.51	22.58	13.68	8.90	5.51	9.35	4.53	7.87	1.97	M6	1.260	5.012	4.724	F35	1" NPT	3303	7811.04

Dimensions are in inches - Dimensions and weights are without brackets - Weights are in lbs. - Air volumes are in cubic inches - Drawing is not scaled.

Radius reserve the right to make technical and or dimensional changes without prior notice.



SCOTCH YOKE PNEUMATIC SPRING RETURN DIMENSIONS



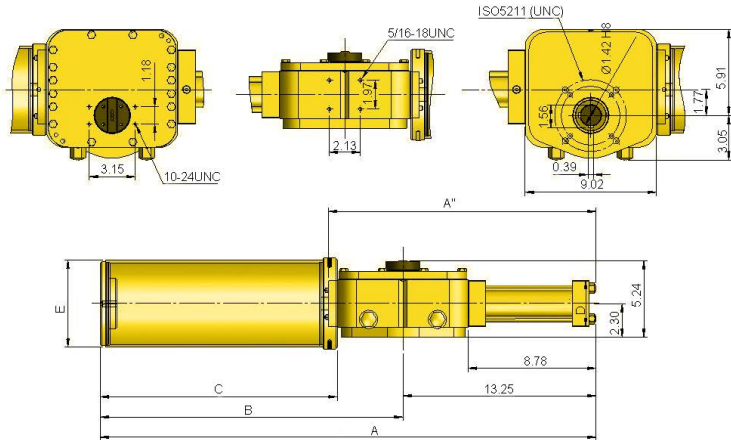
Actuator size	A	A'	B	C	D	E	E'	F	G	H	J	K	L	M	N	O	P	Q	R	S	T	V	ISO5211	AIR CONN.	WEIGHT	AIR VOL.
KSYM-5000-485-1130	107.83	67.09	40.75	52.95	29.69	25.20	21.85	20.51	27.15	16.04	11.10	6.69	12.36	6.06	10.24	1.97	M6	1.417	6.217	5.906	F40	1" NPT	3362	3868.91		
KSYM-5000-535-1130	107.83	67.09	40.75	52.95	29.69	25.20	23.86	20.51	27.15	16.04	11.10	6.69	12.36	6.06	10.24	1.97	M6	1.417	6.217	5.906	F40	1" NPT	3468	4711.03		
KSYM-5000-585-1130	107.83	67.09	40.75	52.95	29.69	25.20	25.91	20.51	27.15	16.04	11.10	6.69	12.36	6.06	10.24	1.97	M6	1.417	6.217	5.906	F40	1" NPT	3631	5632.49		
KSYM-5000-635-1130	107.83	67.09	40.75	52.95	29.69	25.20	27.80	20.51	27.15	16.04	11.10	6.69	12.36	6.06	10.24	1.97	M6	1.417	6.217	5.906	F40	1" NPT	3898	6633.28		
KSYM-5000-685-1130	107.83	67.09	40.75	52.95	29.69	25.20	29.80	20.51	27.15	16.04	11.10	6.69	12.36	6.06	10.24	1.97	M6	1.417	6.217	5.906	F40	1" NPT	4094	7719.50		
KSYM-5000-535-1390	102.05	61.30	40.75	47.17	29.69	25.20	23.86	22.44	27.15	16.04	11.10	6.69	12.36	6.06	10.24	1.97	M6	1.417	6.217	5.906	F40	1" NPT	3754	4711.03		
KSYM-5000-585-1390	102.05	61.30	40.75	47.17	29.69	25.20	25.91	22.44	27.15	16.04	11.10	6.69	12.36	6.06	10.24	1.97	M6	1.417	6.217	5.906	F40	1" NPT	3918	5632.49		
KSYM-5000-635-1390	102.05	61.30	40.75	47.17	29.69	25.20	27.80	22.44	27.15	16.04	11.10	6.69	12.36	6.06	10.24	1.97	M6	1.417	6.217	5.906	F40	1" NPT	4184	6633.28		
KSYM-5000-685-1390	102.05	61.30	40.75	47.17	29.69	25.20	29.80	22.44	27.15	16.04	11.10	6.69	12.36	6.06	10.24	1.97	M6	1.417	6.217	5.906	F40	1" NPT	4381	7719.50		
KSYM-5000-735-1390	102.05	61.30	40.75	47.17	29.69	25.20	31.89	22.44	27.15	16.04	11.10	6.69	12.36	6.06	10.24	1.97	M6	1.417	6.217	5.906	F40	1" NPT	4608	8891.16		
KSYM-5000-585-1800	103.23	62.48	40.75	48.35	29.69	25.20	25.91	23.98	27.15	16.04	11.10	6.69	12.36	6.06	10.24	1.97	M6	1.417	6.217	5.906	F40	1" NPT	4226	5632.49		
KSYM-5000-635-1800	103.23	62.48	40.75	48.35	29.69	25.20	27.80	23.98	27.15	16.04	11.10	6.69	12.36	6.06	10.24	1.97	M6	1.417	6.217	5.906	F40	1" NPT	4493	6633.28		
KSYM-5000-685-1800	103.23	62.48	40.75	48.35	29.69	25.20	29.80	23.98	27.15	16.04	11.10	6.69	12.36	6.06	10.24	1.97	M6	1.417	6.217	5.906	F40	1" NPT	4685	7719.50		
KSYM-5000-735-1800	103.23	62.48	40.75	48.35	29.69	25.20	31.89	23.98	27.15	16.04	11.10	6.69	12.36	6.06	10.24	1.97	M6	1.417	6.217	5.906	F40	1" NPT	4883	8891.16		
KSYM-5000-785-1800	103.23	62.48	40.75	48.35	29.69	25.20	33.86	23.98	27.15	16.04	11.10	6.69	12.36	6.06	10.24	1.97	M6	1.417	6.217	5.906	F40	1" NPT	5093	10056.71		
KSYM-5000-635-2220	103.19	62.44	40.75	48.31	29.69	25.20	27.80	24.49	27.15	16.04	11.10	6.69	12.36	6.06	10.24	1.97	M6	1.417	6.217	5.906	F40	1" NPT	4647	6633.28		
KSYM-5000-685-2220	103.19	62.44	40.75	48.31	29.69	25.20	29.80	24.49	27.15	16.04	11.10	6.69	12.36	6.06	10.24	1.97	M6	1.417	6.217	5.906	F40	1" NPT	4844	7719.50		
KSYM-5000-735-2220	103.19	62.44	40.75	48.31	29.69	25.20	31.89	24.49	27.15	16.04	11.10	6.69	12.36	6.06	10.24	1.97	M6	1.417	6.217	5.906	F40	1" NPT	5055	8891.16		
KSYM-5000-785-2220	103.19	62.44	40.75	48.31	29.69	25.20	33.86	24.49	27.15	16.04	11.10	6.69	12.36	6.06	10.24	1.97	M6	1.417	6.217	5.906	F40	1" NPT	5295	10050.61		
KSYM-5000-835-2220	103.19	62.44	40.75	48.31	29.69	25.20	36.02	24.49	27.15	16.04	11.10	6.69	12.36	6.06	10.24	1.97	M6	1.417	6.217	5.906	F40	1" NPT	5492	11380.93		

Dimensions are in inches - Dimensions and weights are without brackets - Weights are in lbs. - Air volumes are in cubic inches - Drawing is not scaled.

Radius reserve the right to make technical and or dimensional changes without prior notice.



SCOTCH YOKE HYDRAULIC DOUBLE ACTING DIMENSIONS



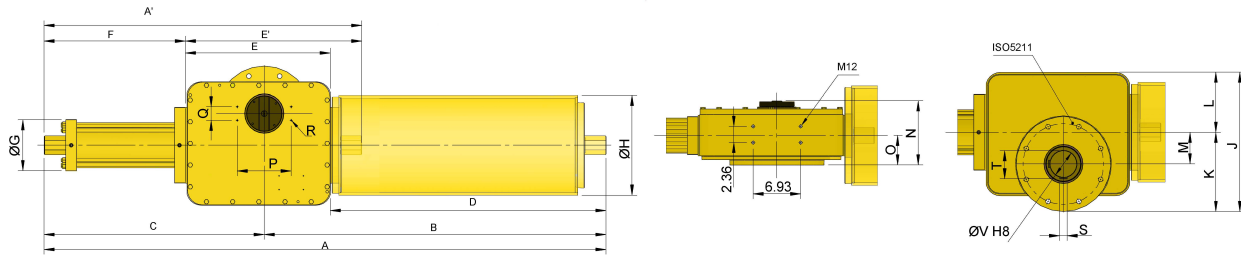
Actuator size	A*-A	B	C	D	E	ISO5211	OIL CONN.	WEIGHT	OIL VOL.
KSYH-100-35	18.46	-	-	3.35	-	F10-F12	1/4" NPT	82	5.31
KSYH-100-40	18.46	-	-	3.54	-	F10-F12	1/4" NPT	84	6.90
KSYH-100-45	18.46	-	-	3.74	-	F10-F12	1/4" NPT	86	8.73
KSYH-100-50	18.46	-	-	3.94	-	F10-F12	1/4" NPT	86	10.74
KSYH-100-55	18.46	-	-	4.13	-	F10-F12	1/4" NPT	88	13.00
KSYH-100-60	18.46	-	-	4.33	-	F10-F12	1/4" NPT	90	15.50

Dimensions are in inches - Dimensions and weights are without brackets - Weights are in lbs. - Air volumes are in cubic inches - Drawing is not scaled.

Radius reserve the right to make technical and or dimensional changes without prior notice.



SCOTCH YOKE HYDRAULIC DOUBLE ACTING DIMENSIONS



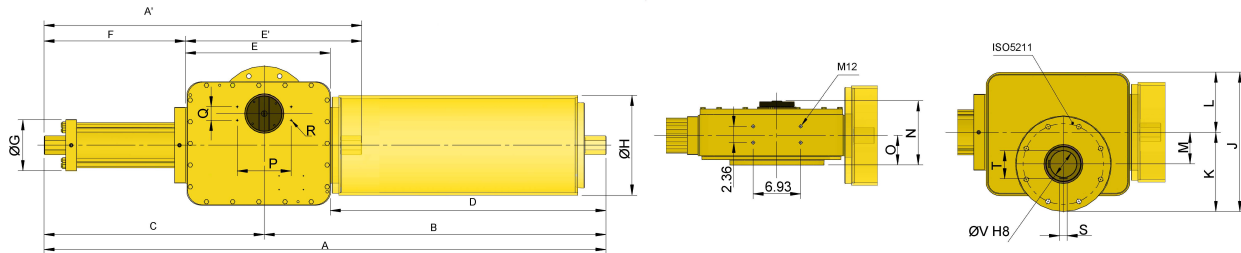
Actuator size	A'	B	C	D	E'	F	G	H	J	K	L	M	N	O	P	Q	R	S	T	V	ISO5211	OIL CONN.	WEIGHT	OIL VOL.
KSYH-400-40	33.43	-	22.44	-	18.70	14.72	4.92	-	13.70	6.89	6.81	2.76	7.46	3.43	5.12	1.18	M5	0.709	2.531	2.362	F16	1/4" NPT	159	10.80
KSYH-400-45	33.43	-	22.44	-	18.70	14.72	5.12	-	13.70	6.89	6.81	2.76	7.46	3.43	5.12	1.18	M5	0.709	2.531	2.362	F16	1/4" NPT	168	13.67
KSYH-400-50	33.43	-	22.44	-	18.70	14.72	5.31	-	13.70	6.89	6.81	2.76	7.46	3.43	5.12	1.18	M5	0.709	2.531	2.362	F16	1/4" NPT	176	16.90
KSYH-400-55	33.43	-	22.44	-	18.70	14.72	5.51	-	13.70	6.89	6.81	2.76	7.46	3.43	5.12	1.18	M5	0.709	2.531	2.362	F16	1/4" NPT	185	20.50
KSYH-400-60	33.43	-	22.44	-	18.70	14.72	5.71	-	13.70	6.89	6.81	2.76	7.46	3.43	5.12	1.18	M5	0.709	2.531	2.362	F16	1/4" NPT	192	24.35
KSYH-400-65	33.43	-	22.44	-	18.70	14.72	5.91	-	13.70	6.89	6.81	2.76	7.46	3.43	5.12	1.18	M5	0.709	2.531	2.362	F16	1/4" NPT	203	28.38
KSYH-400-70	33.43	-	22.44	-	18.70	14.72	6.10	-	13.70	6.89	6.81	2.76	7.46	3.43	5.12	1.18	M5	0.709	2.531	2.362	F16	1/4" NPT	214	33.20
KSYH-400-75	33.43	-	22.44	-	18.70	14.72	6.30	-	13.70	6.89	6.81	2.76	7.46	3.43	5.12	1.18	M5	0.709	2.531	2.362	F16	1/4" NPT	223	38.08
KSYH-400-80	33.43	-	22.44	-	18.70	14.72	6.50	-	13.70	6.89	6.81	2.76	7.46	3.43	5.12	1.18	M5	0.709	2.531	2.362	F16	1/4" NPT	229	43.39
KSYH-900-55	37.95	-	25.87	-	21.06	16.89	5.51	-	17.09	9.45	7.64	3.54	7.81	3.58	5.12	1.18	M5	0.787	3.020	2.835	F25	1/4" NPT	203	26.42
KSYH-900-60	37.95	-	25.87	-	21.06	16.89	5.71	-	17.09	9.45	7.64	3.54	7.81	3.58	5.12	1.18	M5	0.787	3.020	2.835	F25	1/4" NPT	212	31.43
KSYH-900-65	37.95	-	25.87	-	21.06	16.89	5.91	-	17.09	9.45	7.64	3.54	7.81	3.58	5.12	1.18	M5	0.787	3.020	2.835	F25	1/4" NPT	220	36.86
KSYH-900-70	37.95	-	25.87	-	21.06	16.89	6.10	-	17.09	9.45	7.64	3.54	7.81	3.58	5.12	1.18	M5	0.787	3.020	2.835	F25	1/4" NPT	229	42.78
KSYH-900-75	37.95	-	25.87	-	21.06	16.89	6.30	-	17.09	9.45	7.64	3.54	7.81	3.58	5.12	1.18	M5	0.787	3.020	2.835	F25	1/4" NPT	240	49.06
KSYH-900-80	37.95	-	25.87	-	21.06	16.89	6.50	-	17.09	9.45	7.64	3.54	7.81	3.58	5.12	1.18	M5	0.787	3.020	2.835	F25	1/4" NPT	247	55.84
KSYH-900-85	37.95	-	25.87	-	21.06	16.89	6.69	-	17.09	9.45	7.64	3.54	7.81	3.58	5.12	1.18	M5	0.787	3.020	2.835	F25	1/2" NPT	256	63.04
KSYH-900-90	37.95	-	25.87	-	21.06	16.89	6.89	-	17.09	9.45	7.64	3.54	7.81	3.58	5.12	1.18	M5	0.787	3.020	2.835	F25	1/2" NPT	265	70.67
KSYH-900-100	37.95	-	25.87	-	21.06	16.89	7.28	-	17.09	9.45	7.64	3.54	7.81	3.58	5.12	1.18	M5	0.787	3.020	2.835	F25	1/2" NPT	273	87.26
KSYH-900-110	37.95	-	25.87	-	21.06	16.89	7.68	-	17.09	9.45	7.64	3.54	7.81	3.58	5.12	1.18	M5	0.787	3.020	2.835	F25	1/2" NPT	282	105.63

Dimensions are in inches - Dimensions and weights are without brackets - Weights are in lbs. - Air volumes are in cubic inches - Drawing is not scaled.

Radius reserve the right to make technical and or dimensional changes without prior notice.



SCOTCH YOKE HYDRAULIC DOUBLE ACTING DIMENSIONS



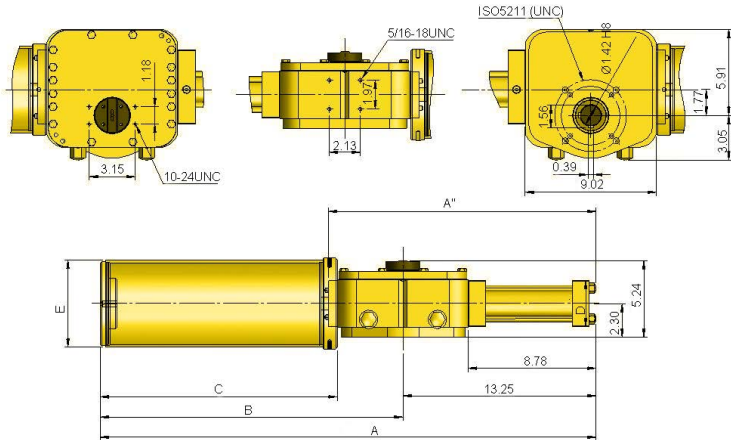
Actuator size	A'	B	C	D	E'	F	G	H	J	K	L	M	N	O	P	Q	R	S	T	V	ISO5211	OIL CONN.	WEIGHT	OIL VOL.
KSYH-1600-65	47.32	-	33.15	-	25.67	21.65	5.91	-	20.20	11.50	8.70	4.61	9.33	4.29	7.87	1.97	M6	1.102	4.102	3.858	F30	1/4" NPT	419	47.96
KSYH-1600-75	47.32	-	33.15	-	25.67	21.65	6.30	-	20.20	11.50	8.70	4.61	9.33	4.29	7.87	1.97	M6	1.102	4.102	3.858	F30	1/2" NPT	432	63.83
KSYH-1600-80	47.32	-	33.15	-	25.67	21.65	6.50	-	20.20	11.50	8.70	4.61	9.33	4.29	7.87	1.97	M6	1.102	4.102	3.858	F30	1/2" NPT	445	72.68
KSYH-1600-85	47.32	-	33.15	-	25.67	21.65	6.69	-	20.20	11.50	8.70	4.61	9.33	4.29	7.87	1.97	M6	1.102	4.102	3.858	F30	1/2" NPT	459	82.02
KSYH-1600-90	47.32	-	33.15	-	25.67	21.65	6.89	-	20.20	11.50	8.70	4.61	9.33	4.29	7.87	1.97	M6	1.102	4.102	3.858	F30	1/2" NPT	472	91.96
KSYH-1600-95	47.32	-	33.15	-	25.67	21.65	7.09	-	20.20	11.50	8.70	4.61	9.33	4.29	7.87	1.97	M6	1.102	4.102	3.858	F30	1/2" NPT	485	102.46
KSYH-1600-105	47.32	-	33.15	-	25.67	21.65	7.48	-	20.20	11.50	8.70	4.61	9.33	4.29	7.87	1.97	M6	1.102	4.102	3.858	F30	1/2" NPT	498	125.16
KSYH-1600-115	47.32	-	33.15	-	25.67	21.65	7.87	-	20.20	11.50	8.70	4.61	9.33	4.29	7.87	1.97	M6	1.102	4.102	3.858	F30	1/2" NPT	511	149.57
KSYH-1600-130	47.32	-	33.15	-	25.67	21.65	8.46	-	20.20	11.50	8.70	4.61	9.33	4.29	7.87	1.97	M6	1.102	4.102	3.858	F30	1/2" NPT	525	191.80
KSYH-3500-90	50.91	-	35.83	-	27.56	23.35	6.89	-	22.58	13.68	8.90	5.51	11.14	4.53	7.87	1.97	M6	1.260	5.012	4.724	F35	1/2" NPT	496	109.72
KSYH-3500-100	50.91	-	35.83	-	27.56	23.35	7.28	-	22.58	13.68	8.90	5.51	11.14	4.53	7.87	1.97	M6	1.260	5.012	4.724	F35	1/2" NPT	514	135.47
KSYH-3500-110	50.91	-	35.83	-	27.56	23.35	7.68	-	22.58	13.68	8.90	5.51	11.14	4.53	7.87	1.97	M6	1.260	5.012	4.724	F35	1/2" NPT	531	163.97
KSYH-3500-115	50.91	-	35.83	-	27.56	23.35	7.87	-	22.58	13.68	8.90	5.51	11.14	4.53	7.87	1.97	M6	1.260	5.012	4.724	F35	1/2" NPT	549	179.10
KSYH-3500-120	50.91	-	35.83	-	27.56	23.35	8.07	-	22.58	13.68	8.90	5.51	11.14	4.53	7.87	1.97	M6	1.260	5.012	4.724	F35	1/2" NPT	567	195.09
KSYH-3500-125	50.91	-	35.83	-	27.56	23.35	8.27	-	22.58	13.68	8.90	5.51	11.14	4.53	7.87	1.97	M6	1.260	5.012	4.724	F35	3/4" NPT	584	211.69
KSYH-3500-130	50.91	-	35.83	-	27.56	23.35	8.46	-	22.58	13.68	8.90	5.51	11.14	4.53	7.87	1.97	M6	1.260	5.012	4.724	F35	3/4" NPT	602	228.96
KSYH-3500-135	50.91	-	35.83	-	27.56	23.35	8.66	-	22.58	13.68	8.90	5.51	11.14	4.53	7.87	1.97	M6	1.260	5.012	4.724	F35	3/4" NPT	619	246.84
KSYH-3500-140	50.91	-	35.83	-	27.56	23.35	8.86	-	22.58	13.68	8.90	5.51	11.14	4.53	7.87	1.97	M6	1.260	5.012	4.724	F35	3/4" NPT	637	265.51
KSYH-3500-150	50.91	-	35.83	-	27.56	23.35	9.25	-	22.58	13.68	8.90	5.51	11.14	4.53	7.87	1.97	M6	1.260	5.012	4.724	F35	3/4" NPT	655	304.81
KSYH-3500-160	50.91	-	35.83	-	27.56	23.35	9.65	-	22.58	13.68	8.90	5.51	11.14	4.53	7.87	1.97	M6	1.260	5.012	4.724	F35	3/4" NPT	672	346.80
KSYH-3500-175	50.91	-	35.83	-	27.56	23.35	10.24	-	22.58	13.68	8.90	5.51	11.14	4.53	7.87	1.97	M6	1.260	5.012	4.724	F35	3/4" NPT	690	414.90
KSYH-5000-95	61.97	-	43.11	-	34.41	27.56	7.09	-	27.15	16.04	11.10	6.69	12.36	6.06	10.24	1.97	M6	1.417	6.217	5.906	F40	1/2" NPT	1074	147.37
KSYH-5000-110	61.97	-	43.11	-	34.41	27.56	7.68	-	27.15	16.04	11.10	6.69	12.36	6.06	10.24	1.97	M6	1.417	6.217	5.906	F40	1/2" NPT	1098	197.59
KSYH-5000-115	61.97	-	43.11	-	34.41	27.56	7.87	-	27.15	16.04	11.10	6.69	12.36	6.06	10.24	1.97	M6	1.417	6.217	5.906	F40	3/4" NPT	1122	215.96
KSYH-5000-120	61.97	-	43.11	-	34.41	27.56	8.07	-	27.15	16.04	11.10	6.69	12.36	6.06	10.24	1.97	M6	1.417	6.217	5.906	F40	3/4" NPT	1146	235.12
KSYH-5000-130	61.97	-	43.11	-	34.41	27.56	8.46	-	27.15	16.04	11.10	6.69	12.36	6.06	10.24	1.97	M6	1.417	6.217	5.906	F40	3/4" NPT	1171	275.95
KSYH-5000-140	61.97	-	43.11	-	34.41	27.56	8.86	-	27.15	16.04	11.10	6.69	12.36	6.06	10.24	1.97	M6	1.417	6.217	5.906	F40	3/4" NPT	1195	320.07
KSYH-5000-150	61.97	-	43.11	-	34.41	27.56	9.25	-	27.15	16.04	11.10	6.69	12.36	6.06	10.24	1.97	M6	1.417	6.217	5.906	F40	3/4" NPT	1219	367.42
KSYH-5000-160	61.97	-	43.11	-	34.41	27.56	9.65	-	27.15	16.04	11.10	6.69	12.36	6.06	10.24	1.97	M6	1.417	6.217	5.906	F40	3/4" NPT	1243	418.07
KSYH-5000-170	61.97	-	43.11	-	34.41	27.56	10.04	-	27.15	16.04	11.10	6.69	12.36	6.06	10.24	1.97	M6	1.417	6.217	5.906	F40	3/4" NPT	1270	471.90
KSYH-5000-190	61.97	-	43.11	-	34.41	27.56	10.83	-	27.15	16.04	11.10	6.69	12.36	6.06	10.24	1.97	M6	1.417	6.217	5.906	F40	3/4" NPT	1292	589.55
KSYH-5000-200	61.97	-	43.11	-	34.41	27.56	11.22	-	27.15	16.04	11.10	6.69	12.36	6.06	10.24	1.97	M6	1.417	6.217	5.906	F40	3/4" NPT	1316	653.20

Dimensions are in inches - Dimensions and weights are without brackets - Weights are in lbs. - Air volumes are in cubic inches - Drawing is not scaled.

Radius reserve the right to make technical and or dimensional changes without prior notice.



SCOTCH YOKE HYDRAULIC SPRING RETURN DIMENSIONS



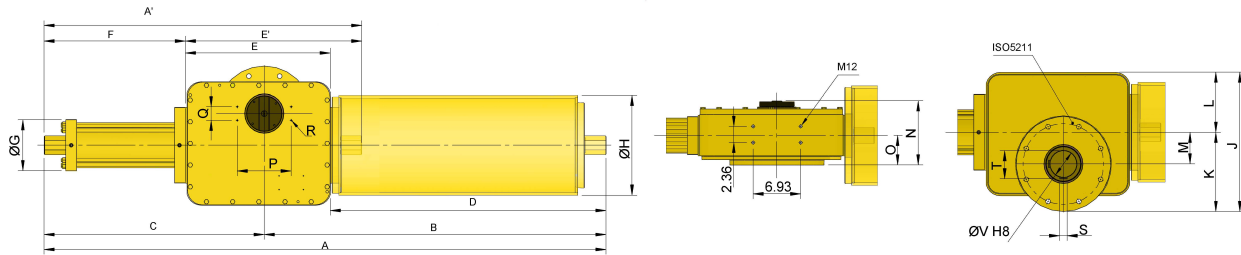
Actuator size	A'-A	B	C	D	E	ISO5211	OIL CONN.	WEIGHT	OIL VOL.
KSYHM-100-40-23	32.60	19.33	14.80	3.54	7.64	F10-F12	1/4" NPT	165	6.90
KSYHM-100-45-23	32.60	19.33	14.80	3.74	7.64	F10-F12	1/4" NPT	168	8.73
KSYHM-100-50-23	32.60	19.33	14.80	3.94	7.64	F10-F12	1/4" NPT	170	10.74
KSYHM-100-55-23	32.60	19.33	14.80	4.13	7.64	F10-F12	1/4" NPT	172	13.00
KSYHM-100-60-23	32.60	19.33	14.80	4.33	7.64	F10-F12	1/4" NPT	176	15.50
KSYHM-100-65-23	32.60	19.33	14.80	4.53	7.64	F10-F12	1/4" NPT	181	18.19
KSYHM-100-70-23	32.60	19.33	14.80	4.72	7.64	F10-F12	1/4" NPT	183	21.11
KSYHM-100-40-46	33.98	20.75	16.26	3.54	5.98	F10-F12	1/4" NPT	185	6.90
KSYHM-100-45-46	33.98	20.75	16.26	3.74	5.98	F10-F12	1/4" NPT	187	8.73
KSYHM-100-50-46	33.98	20.75	16.26	3.94	5.98	F10-F12	1/4" NPT	187	10.74
KSYHM-100-55-46	33.98	20.75	16.26	4.13	5.98	F10-F12	1/4" NPT	190	13.00
KSYHM-100-60-46	33.98	20.75	16.26	4.33	5.98	F10-F12	1/4" NPT	192	15.50
KSYHM-100-65-46	33.98	20.75	16.26	4.53	5.98	F10-F12	1/4" NPT	194	18.19
KSYHM-100-70-46	33.98	20.75	16.26	4.72	5.98	F10-F12	1/4" NPT	196	21.11
KSYHM-100-40-78	39.41	26.18	21.73	3.54	9.02	F10-F12	1/4" NPT	194	6.90
KSYHM-100-45-78	39.41	26.18	21.73	3.74	9.02	F10-F12	1/4" NPT	198	8.73
KSYHM-100-50-78	39.41	26.18	21.73	3.94	9.02	F10-F12	1/4" NPT	201	10.74
KSYHM-100-55-78	39.41	26.18	21.73	4.13	9.02	F10-F12	1/4" NPT	203	13.00
KSYHM-100-60-78	39.41	26.18	21.73	4.33	9.02	F10-F12	1/4" NPT	203	15.50
KSYHM-100-65-78	39.41	26.18	21.73	4.53	9.02	F10-F12	1/4" NPT	205	18.19
KSYHM-100-70-78	39.41	26.18	21.73	4.72	9.02	F10-F12	1/4" NPT	207	21.11
KSYHM-100-75-78	39.41	26.18	21.73	4.92	9.02	F10-F12	1/4" NPT	209	24.23

Dimensions are in inches - Dimensions and weights are without brackets - Weights are in lbs. - Air volumes are in cubic inches - Drawing is not scaled.

Radius reserve the right to make technical and or dimensional changes without prior notice.



SCOTCH YOKE HYDRAULIC SPRING RETURN DIMENSIONS



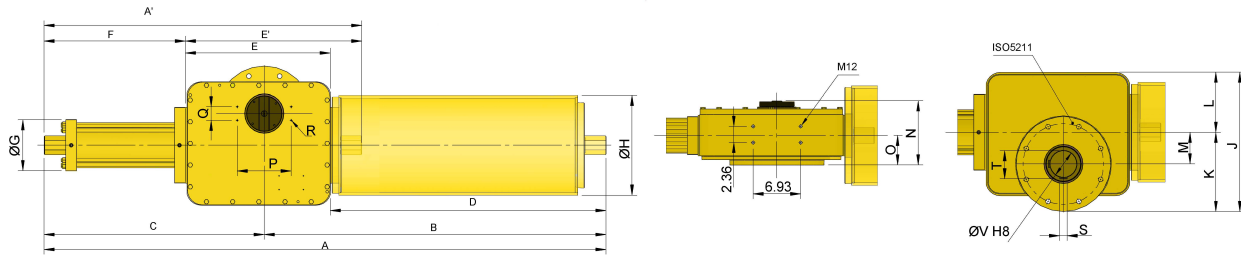
Actuator size	A	B	C	D	E	F	G	H	J	K	L	M	N	O	P	Q	R	S	T	V	ISO5211	OIL CONN.	WEIGHT	OIL VOL.
KSYHM-400-45-110	54.69	32.24	22.44	25.59	14.37	14.72	5.12	10.51	13.70	6.89	6.81	2.76	7.46	3.43	5.12	1.18	M5	0.709	2.531	2.362	F16	1/4" NPT	322	13.67
KSYHM-400-50-110	54.69	32.24	22.44	25.59	14.37	14.72	5.31	10.51	13.70	6.89	6.81	2.76	7.46	3.43	5.12	1.18	M5	0.709	2.531	2.362	F16	1/4" NPT	328	13.85
KSYHM-400-55-110	54.69	32.24	22.44	25.59	14.37	14.72	5.51	10.51	13.70	6.89	6.81	2.76	7.46	3.43	5.12	1.18	M5	0.709	2.531	2.362	F16	1/4" NPT	337	20.50
KSYHM-400-60-110	54.69	32.24	22.44	25.59	14.37	14.72	5.71	10.51	13.70	6.89	6.81	2.76	7.46	3.43	5.12	1.18	M5	0.709	2.531	2.362	F16	1/4" NPT	346	20.69
KSYHM-400-65-110	54.69	32.24	22.44	25.59	14.37	14.72	5.91	10.51	13.70	6.89	6.81	2.76	7.46	3.43	5.12	1.18	M5	0.709	2.531	2.362	F16	1/4" NPT	355	28.38
KSYHM-400-70-110	54.69	32.24	22.44	25.59	14.37	14.72	6.10	10.51	13.70	6.89	6.81	2.76	7.46	3.43	5.12	1.18	M5	0.709	2.531	2.362	F16	1/4" NPT	364	33.20
KSYHM-400-75-110	54.69	32.24	22.44	25.59	14.37	14.72	6.30	10.51	13.70	6.89	6.81	2.76	7.46	3.43	5.12	1.18	M5	0.709	2.531	2.362	F16	1/4" NPT	370	38.08
KSYHM-400-80-110	54.69	32.24	22.44	25.59	14.37	14.72	6.50	10.51	13.70	6.89	6.81	2.76	7.46	3.43	5.12	1.18	M5	0.709	2.531	2.362	F16	1/4" NPT	381	43.39
KSYHM-400-90-110	54.69	32.24	22.44	25.59	14.37	14.72	6.89	10.51	13.70	6.89	6.81	2.76	7.46	3.43	5.12	1.18	M5	0.709	2.531	2.362	F16	1/4" NPT	390	54.86
KSYHM-400-50-160	55.91	33.46	22.44	26.81	14.37	14.72	5.31	12.76	13.70	6.89	6.81	2.76	7.46	3.43	5.12	1.18	M5	0.709	2.531	2.362	F16	1/4" NPT	348	16.90
KSYHM-400-55-160	55.91	33.46	22.44	26.81	14.37	14.72	5.51	12.76	13.70	6.89	6.81	2.76	7.46	3.43	5.12	1.18	M5	0.709	2.531	2.362	F16	1/4" NPT	357	20.50
KSYHM-400-60-160	55.91	33.46	22.44	26.81	14.37	14.72	5.71	12.76	13.70	6.89	6.81	2.76	7.46	3.43	5.12	1.18	M5	0.709	2.531	2.362	F16	1/4" NPT	366	24.35
KSYHM-400-65-160	55.91	33.46	22.44	26.81	14.37	14.72	5.91	12.76	13.70	6.89	6.81	2.76	7.46	3.43	5.12	1.18	M5	0.709	2.531	2.362	F16	1/4" NPT	375	28.38
KSYHM-400-70-160	55.91	33.46	22.44	26.81	14.37	14.72	6.10	12.76	13.70	6.89	6.81	2.76	7.46	3.43	5.12	1.18	M5	0.709	2.531	2.362	F16	1/4" NPT	384	33.20
KSYHM-400-75-160	55.91	33.46	22.44	26.81	14.37	14.72	6.30	12.76	13.70	6.89	6.81	2.76	7.46	3.43	5.12	1.18	M5	0.709	2.531	2.362	F16	1/4" NPT	392	38.08
KSYHM-400-80-160	55.91	33.46	22.44	26.81	14.37	14.72	6.50	12.76	13.70	6.89	6.81	2.76	7.46	3.43	5.12	1.18	M5	0.709	2.531	2.362	F16	1/4" NPT	399	43.39
KSYHM-400-85-160	55.91	33.46	22.44	26.81	14.37	14.72	6.69	12.76	13.70	6.89	6.81	2.76	7.46	3.43	5.12	1.18	M5	0.709	2.531	2.362	F16	1/4" NPT	410	48.94
KSYHM-400-90-160	55.91	33.46	22.44	26.81	14.37	14.72	6.89	12.76	13.70	6.89	6.81	2.76	7.46	3.43	5.12	1.18	M5	0.709	2.531	2.362	F16	1/4" NPT	419	54.86
KSYHM-400-55-220	56.57	34.13	22.44	27.48	14.37	14.72	5.51	12.01	13.70	6.89	6.81	2.76	7.46	3.43	5.12	1.18	M5	0.709	2.531	2.362	F16	1/4" NPT	417	20.50
KSYHM-400-60-220	56.57	34.13	22.44	27.48	14.37	14.72	5.71	12.01	13.70	6.89	6.81	2.76	7.46	3.43	5.12	1.18	M5	0.709	2.531	2.362	F16	1/4" NPT	425	24.35
KSYHM-400-65-220	56.57	34.13	22.44	27.48	14.37	14.72	5.91	12.01	13.70	6.89	6.81	2.76	7.46	3.43	5.12	1.18	M5	0.709	2.531	2.362	F16	1/4" NPT	434	28.38
KSYHM-400-70-220	56.57	34.13	22.44	27.48	14.37	14.72	6.10	12.01	13.70	6.89	6.81	2.76	7.46	3.43	5.12	1.18	M5	0.709	2.531	2.362	F16	1/4" NPT	441	33.20
KSYHM-400-75-220	56.57	34.13	22.44	27.48	14.37	14.72	6.30	12.01	13.70	6.89	6.81	2.76	7.46	3.43	5.12	1.18	M5	0.709	2.531	2.362	F16	1/4" NPT	452	38.08
KSYHM-400-80-220	56.57	34.13	22.44	27.48	14.37	14.72	6.50	12.01	13.70	6.89	6.81	2.76	7.46	3.43	5.12	1.18	M5	0.709	2.531	2.362	F16	1/4" NPT	461	43.39
KSYHM-400-85-220	56.57	34.13	22.44	27.48	14.37	14.72	6.69	12.01	13.70	6.89	6.81	2.76	7.46	3.43	5.12	1.18	M5	0.709	2.531	2.362	F16	1/4" NPT	470	48.94
KSYHM-400-95-220	56.57	34.13	22.44	27.48	14.37	14.72	7.09	12.01	13.70	6.89	6.81	2.76	7.46	3.43	5.12	1.18	M5	0.709	2.531	2.362	F16	1/4" NPT	478	61.15
KSYHM-400-100-220	56.57	34.13	22.44	27.48	14.37	14.72	7.28	12.01	13.70	6.89	6.81	2.76	7.46	3.43	5.12	1.18	M5	0.709	2.531	2.362	F16	1/2" NPT	487	67.80

Dimensions are in inches - Dimensions and weights are without brackets - Weights are in lbs. - Air volumes are in cubic inches - Drawing is not scaled.

Radius reserve the right to make technical and or dimensional changes without prior notice.



SCOTCH YOKE HYDRAULIC SPRING RETURN DIMENSIONS



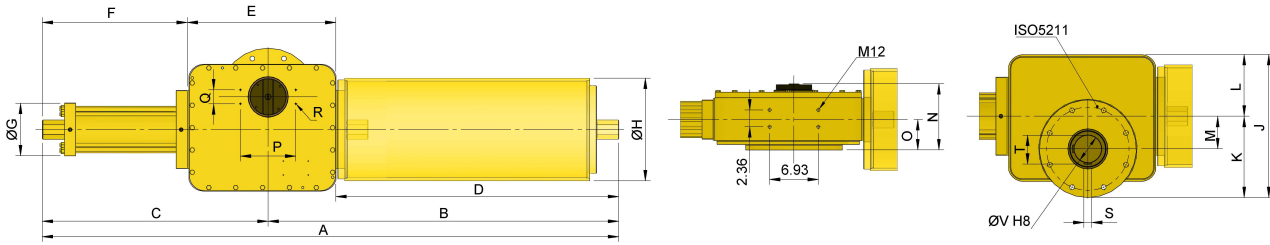
Actuator size	A	B	C	D	E	F	G	H	J	K	L	M	N	O	P	Q	R	S	T	V	ISO5211	OIL CONN.	WEIGHT	OIL VOL.
KSYHM-900-60-140	63.74	37.87	25.87	30.31	16.54	16.89	5.71	10.51	17.09	9.45	7.64	3.54	7.81	3.58	5.12	1.18	M5	0.787	3.020	2.835	F25	1/4" NPT	425	31.43
KSYHM-900-65-140	63.74	37.87	25.87	30.31	16.54	16.89	5.91	10.51	17.09	9.45	7.64	3.54	7.81	3.58	5.12	1.18	M5	0.787	3.020	2.835	F25	1/4" NPT	434	36.86
KSYHM-900-70-140	63.74	37.87	25.87	30.31	16.54	16.89	6.10	10.51	17.09	9.45	7.64	3.54	7.81	3.58	5.12	1.18	M5	0.787	3.020	2.835	F25	1/4" NPT	443	42.78
KSYHM-900-75-140	63.74	37.87	25.87	30.31	16.54	16.89	6.30	10.51	17.09	9.45	7.64	3.54	7.81	3.58	5.12	1.18	M5	0.787	3.020	2.835	F25	1/4" NPT	452	49.06
KSYHM-900-80-140	63.74	37.87	25.87	30.31	16.54	16.89	6.50	10.51	17.09	9.45	7.64	3.54	7.81	3.58	5.12	1.18	M5	0.787	3.020	2.835	F25	1/4" NPT	461	55.84
KSYHM-900-85-140	63.74	37.87	25.87	30.31	16.54	16.89	6.69	10.51	17.09	9.45	7.64	3.54	7.81	3.58	5.12	1.18	M5	0.787	3.020	2.835	F25	1/2" NPT	470	63.04
KSYHM-900-90-140	63.74	37.87	25.87	30.31	16.54	16.89	6.89	10.51	17.09	9.45	7.64	3.54	7.81	3.58	5.12	1.18	M5	0.787	3.020	2.835	F25	1/2" NPT	478	70.67
KSYHM-900-100-140	63.74	37.87	25.87	30.31	16.54	16.89	7.28	10.51	17.09	9.45	7.64	3.54	7.81	3.58	5.12	1.18	M5	0.787	3.020	2.835	F25	1/2" NPT	487	87.26
KSYHM-900-110-140	63.74	37.87	25.87	30.31	16.54	16.89	7.68	10.51	17.09	9.45	7.64	3.54	7.81	3.58	5.12	1.18	M5	0.787	3.020	2.835	F25	1/2" NPT	496	105.63
KSYHM-900-65-200	61.97	36.10	25.87	28.54	16.54	16.89	5.91	12.76	17.09	9.45	7.64	3.54	7.81	3.58	5.12	1.18	M5	0.787	3.020	2.835	F25	1/4" NPT	505	36.86
KSYHM-900-70-200	61.97	36.10	25.87	28.54	16.54	16.89	6.10	12.76	17.09	9.45	7.64	3.54	7.81	3.58	5.12	1.18	M5	0.787	3.020	2.835	F25	1/4" NPT	516	42.78
KSYHM-900-75-200	61.97	36.10	25.87	28.54	16.54	16.89	6.30	12.76	17.09	9.45	7.64	3.54	7.81	3.58	5.12	1.18	M5	0.787	3.020	2.835	F25	1/4" NPT	525	49.06
KSYHM-900-80-200	61.97	36.10	25.87	28.54	16.54	16.89	6.50	12.76	17.09	9.45	7.64	3.54	7.81	3.58	5.12	1.18	M5	0.787	3.020	2.835	F25	1/4" NPT	534	55.84
KSYHM-900-85-200	61.97	36.10	25.87	28.54	16.54	16.89	6.69	12.76	17.09	9.45	7.64	3.54	7.81	3.58	5.12	1.18	M5	0.787	3.020	2.835	F25	1/4" NPT	542	63.04
KSYHM-900-90-200	61.97	36.10	25.87	28.54	16.54	16.89	6.89	12.76	17.09	9.45	7.64	3.54	7.81	3.58	5.12	1.18	M5	0.787	3.020	2.835	F25	1/2" NPT	551	70.67
KSYHM-900-95-200	61.97	36.10	25.87	28.54	16.54	16.89	7.09	12.76	17.09	9.45	7.64	3.54	7.81	3.58	5.12	1.18	M5	0.787	3.020	2.835	F25	1/2" NPT	560	78.78
KSYHM-900-100-200	61.97	36.10	25.87	28.54	16.54	16.89	7.28	12.76	17.09	9.45	7.64	3.54	7.81	3.58	5.12	1.18	M5	0.787	3.020	2.835	F25	1/2" NPT	569	87.26
KSYHM-900-110-200	61.97	36.10	25.87	28.54	16.54	16.89	7.68	12.76	17.09	9.45	7.64	3.54	7.81	3.58	5.12	1.18	M5	0.787	3.020	2.835	F25	1/2" NPT	578	105.63
KSYHM-900-65-290	65.43	39.57	25.87	32.01	16.54	16.89	5.91	12.76	17.09	9.45	7.64	3.54	7.81	3.58	5.12	1.18	M5	0.787	3.020	2.835	F25	1/4" NPT	527	36.86
KSYHM-900-70-290	65.43	39.57	25.87	32.01	16.54	16.89	6.10	12.76	17.09	9.45	7.64	3.54	7.81	3.58	5.12	1.18	M5	0.787	3.020	2.835	F25	1/4" NPT	536	42.78
KSYHM-900-75-290	65.43	39.57	25.87	32.01	16.54	16.89	6.30	12.76	17.09	9.45	7.64	3.54	7.81	3.58	5.12	1.18	M5	0.787	3.020	2.835	F25	1/4" NPT	545	49.06
KSYHM-900-80-290	65.43	39.57	25.87	32.01	16.54	16.89	6.50	12.76	17.09	9.45	7.64	3.54	7.81	3.58	5.12	1.18	M5	0.787	3.020	2.835	F25	1/4" NPT	553	55.84
KSYHM-900-85-290	65.43	39.57	25.87	32.01	16.54	16.89	6.69	12.76	17.09	9.45	7.64	3.54	7.81	3.58	5.12	1.18	M5	0.787	3.020	2.835	F25	1/2" NPT	562	63.04
KSYHM-900-90-290	65.43	39.57	25.87	32.01	16.54	16.89	6.89	12.76	17.09	9.45	7.64	3.54	7.81	3.58	5.12	1.18	M5	0.787	3.020	2.835	F25	1/2" NPT	571	70.67
KSYHM-900-95-290	65.43	39.57	25.87	32.01	16.54	16.89	7.09	12.76	17.09	9.45	7.64	3.54	7.81	3.58	5.12	1.18	M5	0.787	3.020	2.835	F25	1/2" NPT	580	78.78
KSYHM-900-100-290	65.43	39.57	25.87	32.01	16.54	16.89	7.28	12.76	17.09	9.45	7.64	3.54	7.81	3.58	5.12	1.18	M5	0.787	3.020	2.835	F25	1/2" NPT	589	87.26
KSYHM-900-105-290	65.43	39.57	25.87	32.01	16.54	16.89	7.48	12.76	17.09	9.45	7.64	3.54	7.81	3.58	5.12	1.18	M5	0.787	3.020	2.835	F25	1/2" NPT	597	96.23
KSYHM-900-115-290	65.43	39.57	25.87	32.01	16.54	16.89	7.87	12.76	17.09	9.45	7.64	3.54	7.81	3.58	5.12	1.18	M5	0.787	3.020	2.835	F25	1/2" NPT	606	115.40
KSYHM-900-70-390	64.65	38.78	25.87	31.22	16.54	16.89	6.10	13.50	17.09	9.45	7.64	3.54	7.81	3.58	5.12	1.18	M5	0.787	3.020	2.835	F25	1/4" NPT	626	42.78
KSYHM-900-75-390	64.65	38.78	25.87	31.22	16.54	16.89	6.30	13.50	17.09	9.45	7.64	3.54	7.81	3.58	5.12	1.18	M5	0.787	3.020	2.835	F25	1/4" NPT	635	49.06
KSYHM-900-80-390	64.65	38.78	25.87	31.22	16.54	16.89	6.50	13.50	17.09	9.45	7.64	3.54	7.81	3.58	5.12	1.18	M5	0.787	3.020	2.835	F25	1/4" NPT	644	55.84
KSYHM-900-85-390	64.65	38.78	25.87	31.22	16.54	16.89	6.69	13.50	17.09	9.45	7.64	3.54	7.81	3.58	5.12	1.18	M5	0.787	3.020	2.835	F25	1/2" NPT	653	63.04
KSYHM-900-90-390	64.65	38.78	25.87	31.22	16.54	16.89	6.89	13.50	17.09	9.45	7.64	3.54	7.81	3.58	5.12	1.18	M5	0.787	3.020	2.835	F25	1/2" NPT	664	70.67
KSYHM-900-95-390	64.65	38.78	25.87	31.22	16.54	16.89	7.09	13.50	17.09	9.45	7.64	3.54	7.81	3.58	5.12	1.18	M5	0.787	3.020	2.835	F25	1/2" NPT	672	78.78
KSYHM-900-105-390	64.65	38.78	25.87	31.22	16.54	16.89	7.48	13.50	17.09	9.45	7.64	3.54	7.81	3.58	5.12	1.18	M5	0.787	3.020	2.835	F25	1/2" NPT	683	96.23
KSYHM-900-110-390	64.65	38.78	25.87	31.22	16.54	16.89	7.88	13.50	17.09	9.45	7.64	3.54	7.81	3.58	5.12	1.18	M5	0.787	3.020	2.835	F25	1/2" NPT	694	105.63
KSYHM-900-120-390	64.65	38.78	25.87	31.22	16.54	16.89	8.07	13.50	17.09	9.45	7.64	3.54	7.81	3.58	5.12	1.18	M5	0.787	3.020	2.835	F25	1/2" NPT	705	125.65

Dimensions are in inches - Dimensions and weights are without brackets - Weights are in lbs. - Air volumes are in cubic inches - Drawing is not scaled.

Radius reserve the right to make technical and or dimensional changes without prior notice.



SCOTCH YOKE HYDRAULIC SPRING RETURN DIMENSIONS



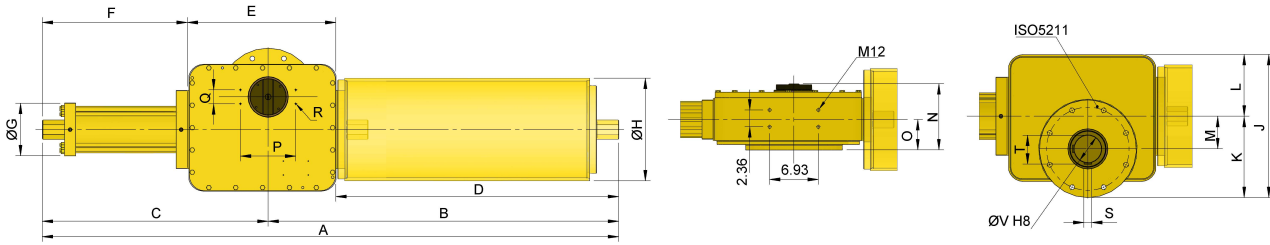
Actuator size	A	B	C	D	E	F	G	H	J	K	L	M	N	O	P	Q	R	S	T	V	ISO5211	OIL CONN.	WEIGHT	OIL VOL.
KSYHM-1600-75-450	83.19	50.04	33.15	40.39	21.14	21.65	6.30	14.49	20.20	11.50	8.70	4.61	9.33	4.29	7.87	1.97	M6	1.102	4.102	3.858	F30	1/2" NPT	809	63.83
KSYHM-1600-80-450	83.19	50.04	33.15	40.39	21.14	21.65	6.50	14.49	20.20	11.50	8.70	4.61	9.33	4.29	7.87	1.97	M6	1.102	4.102	3.858	F30	1/2" NPT	822	72.68
KSYHM-1600-85-450	83.19	50.04	33.15	40.39	21.14	21.65	6.69	14.49	20.20	11.50	8.70	4.61	9.33	4.29	7.87	1.97	M6	1.102	4.102	3.858	F30	1/2" NPT	836	82.02
KSYHM-1600-90-450	83.19	50.04	33.15	40.39	21.14	21.65	6.89	14.49	20.20	11.50	8.70	4.61	9.33	4.29	7.87	1.97	M6	1.102	4.102	3.858	F30	1/2" NPT	849	91.96
KSYHM-1600-100-450	83.19	50.04	33.15	40.39	21.14	21.65	7.28	14.49	20.20	11.50	8.70	4.61	9.33	4.29	7.87	1.97	M6	1.102	4.102	3.858	F30	1/2" NPT	862	113.50
KSYHM-1600-105-450	83.19	50.04	33.15	40.39	21.14	21.65	7.48	14.49	20.20	11.50	8.70	4.61	9.33	4.29	7.87	1.97	M6	1.102	4.102	3.858	F30	1/2" NPT	875	125.16
KSYHM-1600-110-450	83.19	50.04	33.15	40.39	21.14	21.65	7.68	14.49	20.20	11.50	8.70	4.61	9.33	4.29	7.87	1.97	M6	1.102	4.102	3.858	F30	1/2" NPT	888	137.36
KSYHM-1600-120-450	83.19	50.04	33.15	40.39	21.14	21.65	8.07	14.49	20.20	11.50	8.70	4.61	9.33	4.29	7.87	1.97	M6	1.102	4.102	3.858	F30	1/2" NPT	902	163.42
KSYHM-1600-130-450	83.19	50.04	33.15	40.39	21.14	21.65	8.46	14.49	20.20	11.50	8.70	4.61	9.33	4.29	7.87	1.97	M6	1.102	4.102	3.858	F30	1/2" NPT	919	191.80
KSYHM-1600-75-510	79.41	46.26	33.15	36.61	21.14	21.65	6.30	15.00	20.20	11.50	8.70	4.61	9.33	4.29	7.87	1.97	M6	1.102	4.102	3.858	F30	1/2" NPT	798	63.77
KSYHM-1600-80-510	79.41	46.26	33.15	36.61	21.14	21.65	6.50	15.00	20.20	11.50	8.70	4.61	9.33	4.29	7.87	1.97	M6	1.102	4.102	3.858	F30	1/2" NPT	816	72.68
KSYHM-1600-85-510	79.41	46.26	33.15	36.61	21.14	21.65	6.69	15.00	20.20	11.50	8.70	4.61	9.33	4.29	7.87	1.97	M6	1.102	4.102	3.858	F30	1/2" NPT	833	82.02
KSYHM-1600-95-510	79.41	46.26	33.15	36.61	21.14	21.65	7.09	15.00	20.20	11.50	8.70	4.61	9.33	4.29	7.87	1.97	M6	1.102	4.102	3.858	F30	1/2" NPT	851	102.46
KSYHM-1600-100-510	79.41	46.26	33.15	36.61	21.14	21.65	7.28	15.00	20.20	11.50	8.70	4.61	9.33	4.29	7.87	1.97	M6	1.102	4.102	3.858	F30	1/2" NPT	869	113.50
KSYHM-1600-105-510	79.41	46.26	33.15	36.61	21.14	21.65	7.48	15.00	20.20	11.50	8.70	4.61	9.33	4.29	7.87	1.97	M6	1.102	4.102	3.858	F30	1/2" NPT	886	125.16
KSYHM-1600-110-510	79.41	46.26	33.15	36.61	21.14	21.65	7.68	15.00	20.20	11.50	8.70	4.61	9.33	4.29	7.87	1.97	M6	1.102	4.102	3.858	F30	1/2" NPT	904	137.36
KSYHM-1600-115-510	79.41	46.26	33.15	36.61	21.14	21.65	7.87	15.00	20.20	11.50	8.70	4.61	9.33	4.29	7.87	1.97	M6	1.102	4.102	3.858	F30	1/2" NPT	922	149.57
KSYHM-1600-120-510	79.41	46.26	33.15	36.61	21.14	21.65	8.07	15.00	20.20	11.50	8.70	4.61	9.33	4.29	7.87	1.97	M6	1.102	4.102	3.858	F30	1/2" NPT	939	163.42
KSYHM-1600-125-510	79.41	46.26	33.15	36.61	21.14	21.65	8.27	15.00	20.20	11.50	8.70	4.61	9.33	4.29	7.87	1.97	M6	1.102	4.102	3.858	F30	1/2" NPT	957	177.34
KSYHM-1600-130-510	79.41	46.26	33.15	36.61	21.14	21.65	8.46	15.00	20.20	11.50	8.70	4.61	9.33	4.29	7.87	1.97	M6	1.102	4.102	3.858	F30	1/2" NPT	974	191.80
KSYHM-1600-135-510	79.41	46.26	33.15	36.61	21.14	21.65	8.66	15.00	20.20	11.50	8.70	4.61	9.33	4.29	7.87	1.97	M6	1.102	4.102	3.858	F30	3/4" NPT	992	206.81
KSYHM-1600-80-650	85.35	52.20	33.15	42.56	21.14	21.65	6.50	15.98	20.20	11.50	8.70	4.61	9.33	4.29	7.87	1.97	M6	1.102	4.102	3.858	F30	1/2" NPT	1049	72.68
KSYHM-1600-90-650	85.35	52.20	33.15	42.56	21.14	21.65	6.89	15.98	20.20	11.50	8.70	4.61	9.33	4.29	7.87	1.97	M6	1.102	4.102	3.858	F30	1/2" NPT	1067	91.96
KSYHM-1600-100-650	85.35	52.20	33.15	42.56	21.14	21.65	7.28	15.98	20.20	11.50	8.70	4.61	9.33	4.29	7.87	1.97	M6	1.102	4.102	3.858	F30	1/2" NPT	1085	113.50
KSYHM-1600-110-650	85.35	52.20	33.15	42.56	21.14	21.65	7.68	15.98	20.20	11.50	8.70	4.61	9.33	4.29	7.87	1.97	M6	1.102	4.102	3.858	F30	1/2" NPT	1102	137.30
KSYHM-1600-120-650	85.35	52.20	33.15	42.56	21.14	21.65	8.07	15.98	20.20	11.50	8.70	4.61	9.33	4.29	7.87	1.97	M6	1.102	4.102	3.858	F30	1/2" NPT	1120	163.42
KSYHM-1600-125-650	85.35	52.20	33.15	42.56	21.14	21.65	8.27	15.98	20.20	11.50	8.70	4.61	9.33	4.29	7.87	1.97	M6	1.102	4.102	3.858	F30	1/2" NPT	1138	177.34
KSYHM-1600-130-650	85.35	52.20	33.15	42.56	21.14	21.65	8.46	15.98	20.20	11.50	8.70	4.61	9.33	4.29	7.87	1.97	M6	1.102	4.102	3.858	F30	1/2" NPT	1155	191.82
KSYHM-1600-135-650	85.35	52.20	33.15	42.56	21.14	21.65	8.66	15.98	20.20	11.50	8.70	4.61	9.33	4.29	7.87	1.97	M6	1.102	4.102	3.858	F30	3/4" NPT	1173	206.81
KSYHM-1600-150-650	85.35	52.20	33.15	42.56	21.14	21.65	9.25	15.98	20.20	11.50	8.70	4.61	9.33	4.29	7.87	1.97	M6	1.102	4.102	3.858	F30	3/4" NPT	1190	255.38

Dimensions are in inches - Dimensions and weights are without brackets - Weights are in lbs. - Air volumes are in cubic inches - Drawing is not scaled.

Radius reserve the right to make technical and or dimensional changes without prior notice.



SCOTCH YOKE HYDRAULIC SPRING RETURN DIMENSIONS



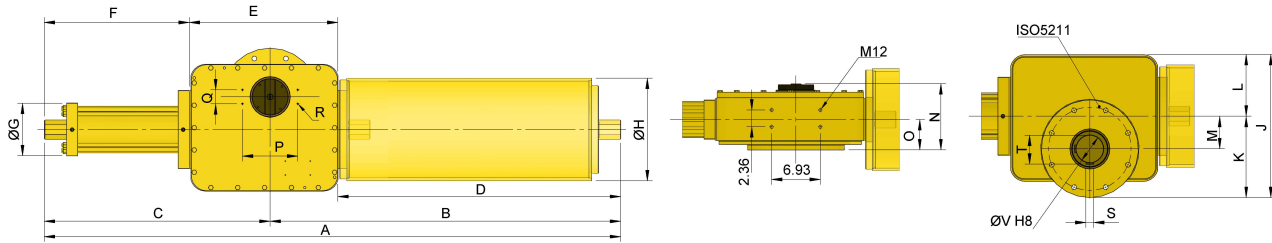
Actuator size	A	B	C	D	E	F	G	H	J	K	L	M	N	O	P	Q	R	S	T	V	ISO5211	OIL CONN.	WEIGHT	OIL VOL.
KSYHM-3500-100-610	97.17	61.34	35.83	50.94	22.87	23.35	7.28	15.00	22.58	13.68	8.90	5.51	9.35	4.53	7.87	1.97	M6	1.260	5.012	4.724	F35	1/2" NPT	1272	135.47
KSYHM-3500-110-610	97.17	61.34	35.83	50.94	22.87	23.35	7.68	15.00	22.58	13.68	8.90	5.51	9.35	4.53	7.87	1.97	M6	1.260	5.012	4.724	F35	1/2" NPT	1292	163.97
KSYHM-3500-120-610	97.17	61.34	35.83	50.94	22.87	23.35	8.07	15.00	22.58	13.68	8.90	5.51	9.35	4.53	7.87	1.97	M6	1.260	5.012	4.724	F35	1/2" NPT	1312	195.09
KSYHM-3500-125-610	97.17	61.34	35.83	50.94	22.87	23.35	8.27	15.00	22.58	13.68	8.90	5.51	9.35	4.53	7.87	1.97	M6	1.260	5.012	4.724	F35	3/4" NPT	1332	242.20
KSYHM-3500-135-610	97.17	61.34	35.83	50.94	22.87	23.35	8.66	15.00	22.58	13.68	8.90	5.51	9.35	4.53	7.87	1.97	M6	1.260	5.012	4.724	F35	3/4" NPT	1351	246.84
KSYHM-3500-145-610	97.17	61.34	35.83	50.94	22.87	23.35	9.06	15.00	22.58	13.68	8.90	5.51	9.35	4.53	7.87	1.97	M6	1.260	5.012	4.724	F35	3/4" NPT	1371	284.86
KSYHM-3500-155-610	97.17	61.34	35.83	50.94	22.87	23.35	9.45	15.00	22.58	13.68	8.90	5.51	9.35	4.53	7.87	1.97	M6	1.260	5.012	4.724	F35	3/4" NPT	1391	325.50
KSYHM-3500-170-610	97.17	61.34	35.83	50.94	22.87	23.35	10.04	15.00	22.58	13.68	8.90	5.51	9.35	4.53	7.87	1.97	M6	1.260	5.012	4.724	F35	3/4" NPT	1411	391.53
KSYHM-3500-100-782	96.91	61.08	35.83	50.69	22.87	23.35	7.28	15.98	22.58	13.68	8.90	5.51	9.35	4.53	7.87	1.97	M6	1.260	5.012	4.724	F35	1/2" NPT	1431	135.47
KSYHM-3500-110-782	96.91	61.08	35.83	50.69	22.87	23.35	7.68	15.98	22.58	13.68	8.90	5.51	9.35	4.53	7.87	1.97	M6	1.260	5.012	4.724	F35	1/2" NPT	1451	163.97
KSYHM-3500-125-782	96.91	61.08	35.83	50.69	22.87	23.35	8.27	15.98	22.58	13.68	8.90	5.51	9.35	4.53	7.87	1.97	M6	1.260	5.012	4.724	F35	3/4" NPT	1470	211.69
KSYHM-3500-130-782	96.91	61.08	35.83	50.69	22.87	23.35	8.46	15.98	22.58	13.68	8.90	5.51	9.35	4.53	7.87	1.97	M6	1.260	5.012	4.724	F35	3/4" NPT	1490	228.96
KSYHM-3500-140-782	96.91	61.08	35.83	50.69	22.87	23.35	8.86	15.98	22.58	13.68	8.90	5.51	9.35	4.53	7.87	1.97	M6	1.260	5.012	4.724	F35	3/4" NPT	1510	265.51
KSYHM-3500-145-782	96.91	61.08	35.83	50.69	22.87	23.35	9.06	15.98	22.58	13.68	8.90	5.51	9.35	4.53	7.87	1.97	M6	1.260	5.012	4.724	F35	3/4" NPT	1530	284.86
KSYHM-3500-160-782	96.91	61.08	35.83	50.69	22.87	23.35	9.65	15.98	22.58	13.68	8.90	5.51	9.35	4.53	7.87	1.97	M6	1.260	5.012	4.724	F35	3/4" NPT	1550	346.80
KSYHM-3500-170-782	96.91	61.08	35.83	50.69	22.87	23.35	10.04	15.98	22.58	13.68	8.90	5.51	9.35	4.53	7.87	1.97	M6	1.260	5.012	4.724	F35	3/4" NPT	1570	391.47
KSYHM-3500-100-1057	97.36	61.54	35.83	51.14	22.87	23.35	7.28	20.51	22.58	13.68	8.90	5.51	9.35	4.53	7.87	1.97	M6	1.260	5.012	4.724	F35	1/2" NPT	1883	135.47
KSYHM-3500-115-1057	97.36	61.54	35.83	51.14	22.87	23.35	7.87	20.51	22.58	13.68	8.90	5.51	9.35	4.53	7.87	1.97	M6	1.260	5.012	4.724	F35	1/2" NPT	1903	179.10
KSYHM-3500-125-1057	97.36	61.54	35.83	51.14	22.87	23.35	8.27	20.51	22.58	13.68	8.90	5.51	9.35	4.53	7.87	1.97	M6	1.260	5.012	4.724	F35	3/4" NPT	1922	211.69
KSYHM-3500-135-1057	97.36	61.54	35.83	51.14	22.87	23.35	8.66	20.51	22.58	13.68	8.90	5.51	9.35	4.53	7.87	1.97	M6	1.260	5.012	4.724	F35	3/4" NPT	1942	246.84
KSYHM-3500-140-1057	97.36	61.54	35.83	51.14	22.87	23.35	8.86	20.51	22.58	13.68	8.90	5.51	9.35	4.53	7.87	1.97	M6	1.260	5.012	4.724	F35	3/4" NPT	1962	265.51
KSYHM-3500-150-1057	97.36	61.54	35.83	51.14	22.87	23.35	9.25	20.51	22.58	13.68	8.90	5.51	9.35	4.53	7.87	1.97	M6	1.260	5.012	4.724	F35	3/4" NPT	1982	304.81
KSYHM-3500-160-1057	97.36	61.54	35.83	51.14	22.87	23.35	9.65	20.51	22.58	13.68	8.90	5.51	9.35	4.53	7.87	1.97	M6	1.260	5.012	4.724	F35	3/4" NPT	2002	346.80
KSYHM-3500-180-1057	97.36	61.54	35.83	51.14	22.87	23.35	10.43	20.51	22.58	13.68	8.90	5.51	9.35	4.53	7.87	1.97	M6	1.260	5.012	4.724	F35	3/4" NPT	2022	438.94

Dimensions are in inches - Dimensions and weights are without brackets - Weights are in lbs. - Air volumes are in cubic inches - Drawing is not scaled.

Radius reserve the right to make technical and or dimensional changes without prior notice.



SCOTCH YOKE HYDRAULIC SPRING RETURN DIMENSIONS



Actuator size	A	B	C	D	E	F	G	H	J	K	L	M	N	O	P	Q	R	S	T	V	ISO5211	OIL CONN.	WEIGHT	OIL VOL.
KSYHM-5000-100-1130	110.20	67.09	43.11	52.95	29.69	27.56	7.28	20.51	27.15	16.04	11.10	6.69	12.36	6.06	10.24	1.97	M6	1.417	6.217	5.906	F40	1/2" NPT	2626	163.30
KSYHM-5000-110-1130	110.20	67.09	43.11	52.95	29.69	27.56	7.68	20.51	27.15	16.04	11.10	6.69	12.36	6.06	10.24	1.97	M6	1.417	6.217	5.906	F40	1/2" NPT	2432	197.59
KSYHM-5000-125-1130	110.20	67.09	43.11	52.95	29.69	27.56	8.27	20.51	27.15	16.04	11.10	6.69	12.36	6.06	10.24	1.97	M6	1.417	6.217	5.906	F40	3/4" NPT	2465	255.14
KSYHM-5000-140-1130	110.20	67.09	43.11	52.95	29.69	27.56	9.25	20.51	27.15	16.04	11.10	6.69	12.36	6.06	10.24	1.97	M6	1.417	6.217	5.906	F40	3/4" NPT	2491	320.07
KSYHM-5000-150-1130	110.20	67.09	43.11	52.95	29.69	27.56	9.65	20.51	27.15	16.04	11.10	6.69	12.36	6.06	10.24	1.97	M6	1.417	6.217	5.906	F40	3/4" NPT	2518	367.42
KSYHM-5000-160-1130	110.20	67.09	43.11	52.95	29.69	27.56	10.04	20.51	27.15	16.04	11.10	6.69	12.36	6.06	10.24	1.97	M6	1.417	6.217	5.906	F40	3/4" NPT	2544	418.07
KSYHM-5000-170-1130	110.20	67.09	43.11	52.95	29.69	27.56	10.43	20.51	27.15	16.04	11.10	6.69	12.36	6.06	10.24	1.97	M6	1.417	6.217	5.906	F40	3/4" NPT	2571	471.90
KSYHM-5000-190-1130	110.20	67.09	43.11	52.95	29.69	27.56	11.22	20.51	27.15	16.04	11.10	6.69	12.36	6.06	10.24	1.97	M6	1.417	6.217	5.906	F40	3/4" NPT	2597	589.55
KSYHM-5000-200-1130	110.20	67.09	43.11	52.95	29.69	27.56	11.61	20.51	27.15	16.04	11.10	6.69	12.36	6.06	10.24	1.97	M6	1.417	6.217	5.906	F40	3/4" NPT	2624	653.20
KSYHM-5000-105-1390	104.41	61.30	43.11	47.17	29.69	27.56	7.48	22.44	27.15	16.04	11.10	6.69	12.36	6.06	10.24	1.97	M6	1.417	6.217	5.906	F40	1/2" NPT	2879	180.08
KSYHM-5000-120-1390	104.41	61.30	43.11	47.17	29.69	27.56	8.07	22.44	27.15	16.04	11.10	6.69	12.36	6.06	10.24	1.97	M6	1.417	6.217	5.906	F40	3/4" NPT	2906	235.12
KSYHM-5000-130-1390	104.41	61.30	43.11	47.17	29.69	27.56	8.46	22.44	27.15	16.04	11.10	6.69	12.36	6.06	10.24	1.97	M6	1.417	6.217	5.906	F40	3/4" NPT	2932	275.95
KSYHM-5000-140-1390	104.41	61.30	43.11	47.17	29.69	27.56	8.86	22.44	27.15	16.04	11.10	6.69	12.36	6.06	10.24	1.97	M6	1.417	6.217	5.906	F40	3/4" NPT	2959	320.07
KSYHM-5000-150-1390	104.41	61.30	43.11	47.17	29.69	27.56	9.25	22.44	27.15	16.04	11.10	6.69	12.36	6.06	10.24	1.97	M6	1.417	6.217	5.906	F40	3/4" NPT	2985	367.42
KSYHM-5000-160-1390	104.41	61.30	43.11	47.17	29.69	27.56	9.65	22.44	27.15	16.04	11.10	6.69	12.36	6.06	10.24	1.97	M6	1.417	6.217	5.906	F40	3/4" NPT	3012	418.07
KSYHM-5000-170-1390	104.41	61.30	43.11	47.17	29.69	27.56	10.04	22.44	27.15	16.04	11.10	6.69	12.36	6.06	10.24	1.97	M6	1.417	6.217	5.906	F40	3/4" NPT	3038	471.90
KSYHM-5000-190-1390	104.41	61.30	43.11	47.17	29.69	27.56	10.83	22.44	27.15	16.04	11.10	6.69	12.36	6.06	10.24	1.97	M6	1.417	6.217	5.906	F40	3/4" NPT	3064	589.55
KSYHM-5000-200-1390	104.41	61.30	43.11	47.17	29.69	27.56	11.22	22.44	27.15	16.04	11.10	6.69	12.36	6.06	10.24	1.97	M6	1.417	6.217	5.906	F40	3/4" NPT	3091	653.20
KSYHM-5000-115-1800	105.59	62.48	43.11	48.35	29.69	27.56	7.87	23.98	27.15	16.04	11.10	6.69	12.36	6.06	10.24	1.97	M6	1.417	6.217	5.906	F40	3/4" NPT	3159	215.96
KSYHM-5000-125-1800	105.59	62.48	43.11	48.35	29.69	27.56	8.27	23.98	27.15	16.04	11.10	6.69	12.36	6.06	10.24	1.97	M6	1.417	6.217	5.906	F40	3/4" NPT	3186	255.14
KSYHM-5000-140-1800	105.59	62.48	43.11	48.35	29.69	27.56	8.86	23.98	27.15	16.04	11.10	6.69	12.36	6.06	10.24	1.97	M6	1.417	6.217	5.906	F40	3/4" NPT	3212	320.07
KSYHM-5000-150-1800	105.59	62.48	43.11	48.35	29.69	27.56	9.25	23.98	27.15	16.04	11.10	6.69	12.36	6.06	10.24	1.97	M6	1.417	6.217	5.906	F40	3/4" NPT	3239	367.42
KSYHM-5000-160-1800	105.59	62.48	43.11	48.35	29.69	27.56	9.65	23.98	27.15	16.04	11.10	6.69	12.36	6.06	10.24	1.97	M6	1.417	6.217	5.906	F40	3/4" NPT	3265	418.07
KSYHM-5000-170-1800	105.59	62.48	43.11	48.35	29.69	27.56	10.04	23.98	27.15	16.04	11.10	6.69	12.36	6.06	10.24	1.97	M6	1.417	6.217	5.906	F40	3/4" NPT	3292	471.90
KSYHM-5000-190-1800	105.59	62.48	43.11	48.35	29.69	27.56	10.83	23.98	27.15	16.04	11.10	6.69	12.36	6.06	10.24	1.97	M6	1.417	6.217	5.906	F40	3/4" NPT	3318	589.55
KSYHM-5000-220-1800	105.59	62.48	43.11	48.35	29.69	27.56	12.01	23.98	27.15	16.04	11.10	6.69	12.36	6.06	10.24	1.97	M6	1.417	6.217	5.906	F40	3/4" NPT	3344	790.38
KSYHM-5000-115-2220	105.55	62.44	43.11	48.31	29.69	27.56	7.87	24.49	27.15	16.04	11.10	6.69	12.36	6.06	10.24	1.97	M6	1.417	6.217	5.906	F40	3/4" NPT	3560	215.96
KSYHM-5000-125-2220	105.55	62.44	43.11	48.31	29.69	27.56	8.27	24.49	27.15	16.04	11.10	6.69	12.36	6.06	10.24	1.97	M6	1.417	6.217	5.906	F40	3/4" NPT	3580	255.14
KSYHM-5000-135-2220	105.55	62.44	43.11	48.31	29.69	27.56	8.66	24.49	27.15	16.04	11.10	6.69	12.36	6.06	10.24	1.97	M6	1.417	6.217	5.906	F40	3/4" NPT	3607	297.61
KSYHM-5000-150-2220	105.55	62.44	43.11	48.31	29.69	27.56	9.25	24.49	27.15	16.04	11.10	6.69	12.36	6.06	10.24	1.97	M6	1.417	6.217	5.906	F40	3/4" NPT	3633	367.42
KSYHM-5000-160-2220	105.55	62.44	43.11	48.31	29.69	27.56	9.65	24.49	27.15	16.04	11.10	6.69	12.36	6.06	10.24	1.97	M6	1.417	6.217	5.906	F40	3/4" NPT	3660	418.07
KSYHM-5000-170-2220	105.55	62.44	43.11	48.31	29.69	27.56	10.04	24.49	27.15	16.04	11.10	6.69	12.36	6.06	10.24	1.97	M6	1.417	6.217	5.906	F40	3/4" NPT	3686	471.90
KSYHM-5000-190-2220	105.55	62.44	43.11	48.31	29.69	27.56	10.83	24.49	27.15	16.04	11.10	6.69	12.36	6.06	10.24	1.97	M6	1.417	6.217	5.906	F40	3/4" NPT	3713	589.55
KSYHM-5000-220-2220	105.55	62.44	43.11	48.31	29.69	27.56	12.01	24.49	27.15	16.04	11.10	6.69	12.36	6.06	10.24	1.97	M6	1.417	6.217	5.906	F40	3/4" NPT	3739	790.38
KSYHM-5000-230-2220	105.55	62.44	43.11	48.31	29.69	27.56	12.40	24.49	27.15	16.04	11.10	6.69	12.36	6.06	10.24	1.97	M6	1.417	6.217	5.906	F40	3/4" NPT	3765	863.85

Dimensions are in inches - Dimensions and weights are without brackets - Weights are in lbs. - Air volumes are in cubic inches - Drawing is not scaled.

Radius reserve the right to make technical and or dimensional changes without prior notice.